

## Features of the Piano

### "SuperNATURAL Piano Modeling Sound Engine" Produces Living Piano Sound

This sound engine uses a computer to synthesize a virtualization of an acoustic piano's sound-producing mechanism, constructing the sound from scratch in a way that reproduces the rich sound of a piano with its complex interactions.

It generates a living piano sound that cannot be produced by the conventional sampling (recorded) sound engines of the past.

### "PHA-50 keyboard" Delivers the Playing Feel and Touch of an Acoustic Piano

Hybrid structure made of wood and a polymer center frame.

The center frame structure resists warping or deformation, providing a stable playing feel.

Wood material improves the keyboard's rigidity and density, and also enhances the playing feel.

This is a maintenance-free keyboard that gives you the playing feel and atmosphere of an acoustic piano while also excelling in durability.

### Bluetooth Technology (Audio/Page-Turning/MIDI Support)

**Bluetooth** audio functionality allows music or video sound from your smartphone or tablet to be played back through the piano itself. **Bluetooth** page-turning and MIDI connection capability lets you control music score apps such as piaScore.

By using **Bluetooth** audio functionality or a remote control app, you can enjoy sound from the piano as background music.

Before using this unit, carefully read "USING THE UNIT SAFELY" and "IMPORTANT NOTES" (leaflet "USING THE UNIT SAFELY"). After reading, keep the document(s) including those sections where it will be available for immediate reference.

Copyright © 2015 ROLAND CORPORATION

### Models with and without Bluetooth

The presence or absence of **Bluetooth** functionality is indicated by the name of a button in the control panel at the left of the keyboard.

On models equipped with **Bluetooth**, the second button from the front is labeled the [Bluetooth] button.

On models not equipped with **Bluetooth**, the second button from the front is labeled the [Metronome] button.

#### With Bluetooth functionality



#### Without Bluetooth functionality



## What is Karimoku Furniture?

Karimoku Furniture is a brand of wooden furniture founded in 1940, based in Japan, and maintaining an insistence on domestic production.

With the guiding principle of "ultimate quality," the company is noted for creating products that make life better and contribute to society.

Careful management of materials, the latest machine technology, and hand-finishing by experienced workers combine to ensure the highest quality.

**Consideration for the human body:** The choice of materials reflects a concern with health, and the ergonomic design aims at enjoyability and functionality.

**Consideration for life:** Product development includes consideration of changing lifestyles and changing methods of usage over time.

**Consideration for the environment:** Managed forest products and thinnings are used extensively to encourage wise use of limited resources.



### Karimoku-made Wooden Cabinet

- The feel of natural wood that makes you want to touch it.
- Your instrument has a unique character like no other, each with its own woodgrain and other natural marks.
- A lighthearted design by Karimoku furniture designers that will coordinate well with your decor.

### Ergonomically Designed Bench

- Several types of cushion material are used to control the springiness of the bench, creating a seating surface that remains comfortable even after hours of performing.
- The bench is the result of twenty years of proprietary ergonomic research.

# Panel Descriptions

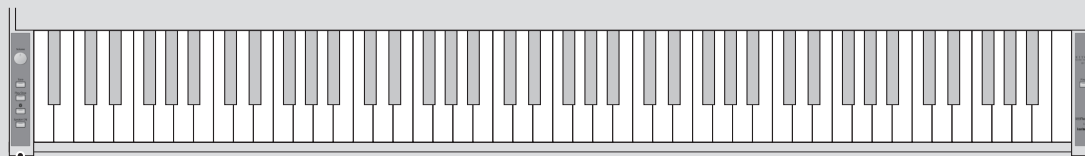
## About natural marks

The wooden parts of this instrument are finished in a way that maximizes the natural character of the wood and its sense of quality.

For this reason, the color and woodgrain (natural marks) of your unit will differ from other units of the same model.

This is an indication that natural wood is used, and is not a problem with the quality.

## Front Panel



KIYOLA  
MADE IN JAPAN  
KF-10

Power



Roland  
&  
karimoku

### [Volume] knob

#### Adjusting the Volume

Turn the [Volume] knob

### [Tone] button

#### Tone selection

Press the [Tone] button (alternates each time the button is pressed)

- Red (Concert Grand Piano)
- Green (Ballad Piano)
- Blue (Bright Piano)
- Pink (Upright Piano)
- Light blue (Harpischord)
- Yellow (Electric Piano)

### [Bluetooth] button (with Bluetooth functionality)

page 8

#### Registering a mobile device (audio pairing)

[Bluetooth] button + power ON

#### Metronome on/off

[Bluetooth] button + press the farthest-right note (C8)

#### Metronome settings

You can specify the tempo and time signature.

[Bluetooth] button + key

page 4

Easy Operation Guide

### [Power] button

#### Turning On/Off the Power

Hold down the [Power] button for one second or longer; the power will be turned on/off.

- \* This unit is equipped with a protection circuit. A brief interval (a few seconds) after turning the unit on is required before it will operate normally.
- \* Never remove the power code while the [Power] button is lighted.

With Bluetooth functionality

Without Bluetooth functionality



### [Play/Stop] button

#### Playing a song

Press the [Play/Stop] button

#### Selecting a song

Hold down the [Play/Stop] button and press a key

Easy Operation Guide

### [Metronome] button (Without Bluetooth functionality)

#### Metronome on/off

Press the [Metronome] button.

#### Metronome settings

You can specify the tempo and time signature.

[Metronome] button + key

page 4

Easy Operation Guide

### [Speaker ON] (Function) button

#### Speaker on/off (only when headphones are connected)

Press the [Speaker ON] (Function) button

#### Other settings (Function)

You can adjust the resonance of the sound, or adjust the keyboard playing touch.

[Speaker ON] (Function) button + key

page 6

Easy Operation Guide

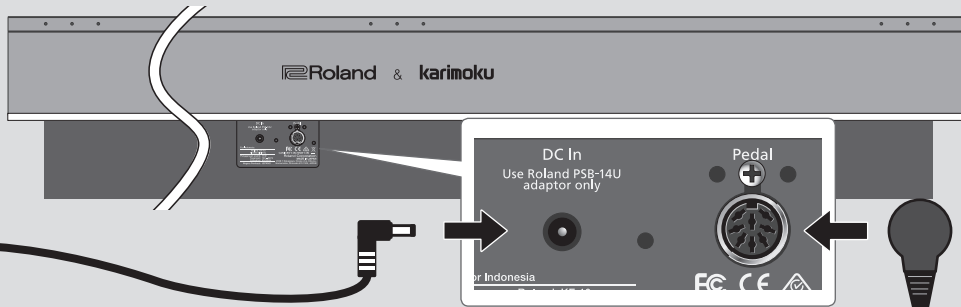
### Making the power automatically turn off after a time (Auto Off)

The power to this unit will be turned off automatically after a predetermined amount of time has passed since it was last used for playing music, or its buttons or controls were operated (Auto Off function). If you do not want the power to be turned off automatically, disengage the Auto Off function p. 7).

(Default: 30 min.)

- \* Any settings that you are in the process of editing will be lost when the power is turned off. If you have any settings that you want to keep, you should save them beforehand.

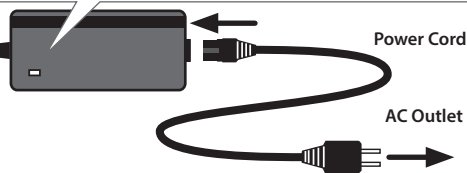
## Rear Panel



### DC In jack

Connect the included AC adaptor here.

Place the AC adaptor so the side with the indicator (see illustration) faces upwards and the side with textual information faces downwards. The indicator will light when you plug the AC adaptor into an AC outlet.



### Pedal jack

Connect the included pedal.

#### Damper Pedal (right pedal)

Use this pedal to sustain the sound. While this pedal is held down, notes will be sustained for an extended time even if you release your fingers from the keyboard.

You can also adjust the amount of resonance by varying the depth to which you press the pedal.



#### Sostenuto Pedal (center pedal)

The notes you are pressing when this pedal is depressed will be sustained.

#### Soft Pedal (left pedal)

This pedal is used to make the sound softer. Playing with the soft pedal depressed produces a sound that is not as strong as when otherwise played with the equivalent strength. The softness of the tone can be varied subtly by the depth to which you press the pedal.

## Bottom Panel

\* To prevent malfunction and equipment failure, always turn down the volume, and turn off all the units before making any connections.

### USB port

#### USB Computer port

If you use a commercially available USB cable to connect the KF-10's USB COMPUTER port to your computer's USB port, you'll be able to do the following things.

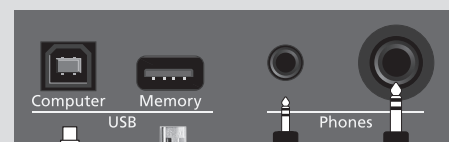
- SMF data played back by MIDI-compatible software can be sounded by the KF-10.
- MIDI data can be transferred between the KF-10 and your DAW software, opening up a wide range of possibilities for music production and editing.



#### USB Memory port

Connect a USB flash drive here.

- If a USB flash drive is connected, you can play and record songs.
- \* Never turn off the power or remove the USB flash drive and Power cord while the USB flash drive is blinking.
- \* Carefully insert the USB flash drive all the way in—until it is firmly in place.



### Phones jacks

You can connect headphones here.



English

日本語

Deutsch

Français

Italiano

Español

Português

Nederlands

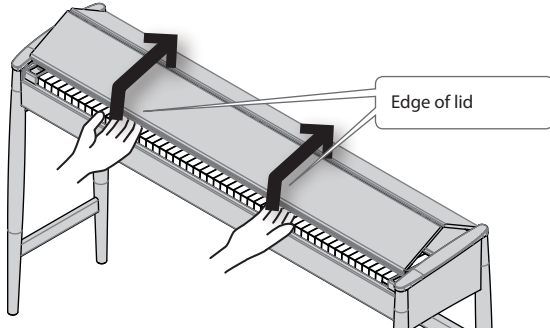


# Opening/Closing the Lid

You must use both hands to open or close the lid.

## Opening the Lid

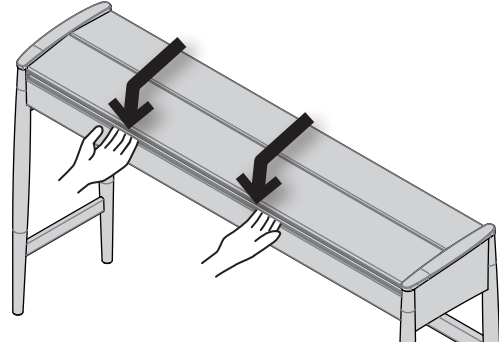
1. Use both hands to lift the edge of the lid, and push it away from yourself.



2. Push the lid away from yourself until it stops.

## Closing the Lid

1. Grasp and gently lower the edge of the lid with both hands.



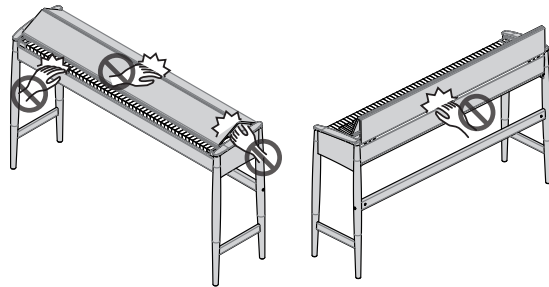
### NOTE

- When opening/closing the lid or you operate the pedals, please be careful not to get your fingers pinched between the movable part and the panel. In places where small children are present, make sure that an adult provides supervision and guidance.
- If you need to move the piano, make sure the lid is closed first to prevent accidents.

When opening or closing the lid, take care not to pinch your fingers between the folding sections.

It is dangerous to close the lid by pressing it from above, since you risk pinching your fingers between the sections of the lid.

Opening the lid by pushing it may cause this unit to fall over. You must grasp the edge of the lid when opening or closing it.



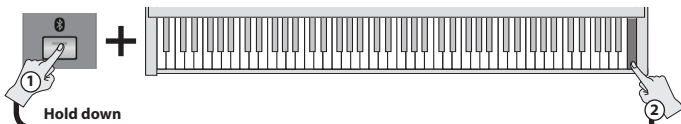
# Advanced Features

## Using the Metronome

### Sounding the Metronome

#### Models equipped with Bluetooth

Hold down the [8] button and press the farthest-right note (C8).



#### Models not equipped with Bluetooth

Press the [METRONOME] button.

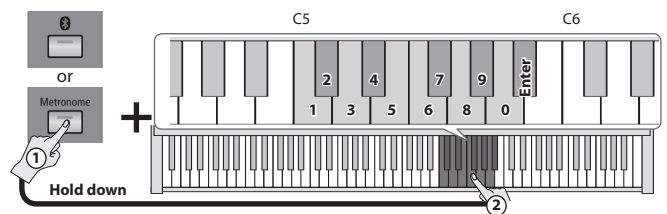


\* If a song is playing, the metronome sounds at the tempo and time signature of that song.

## Specifying a Numeric Tempo

A numeric value can be specified for the tempo (20–250).

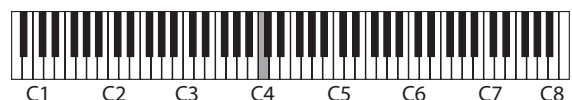
**Example:** To enter 120, hold down the [8] or [METRONOME] button and press the keys in this order: 1 → 2 → 0 → Enter.



### Reading the note name (e.g., C4)

The alphabetical indication for settings the name of the note.

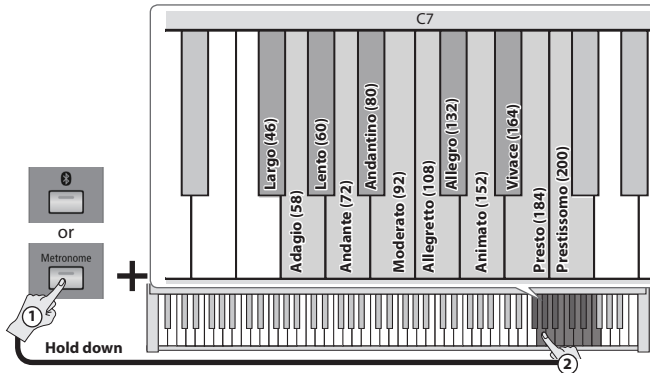
For example, the indication "C4" means "the fourth 'C' from the left edge of the keyboard."





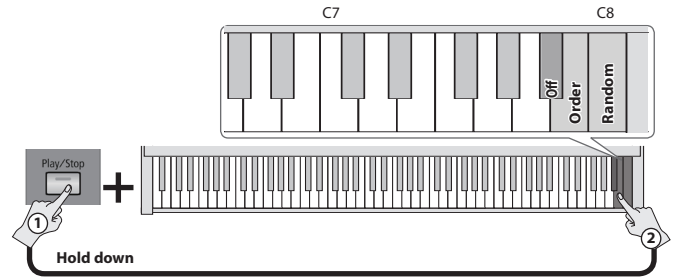
## Using Common Tempo Settings

You can select common tempo settings such as Allegro or Largo.



## Selecting All Songs for Playback

You can change how the songs are played.

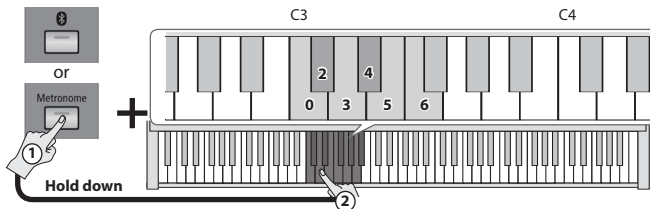


Setting	Explanation
Off	Play only the song of the selected song number.
Order	Play all songs in order.
Random	Play all songs in random order.

\* If a USB flash drive is connected, songs on the USB flash drive are played.

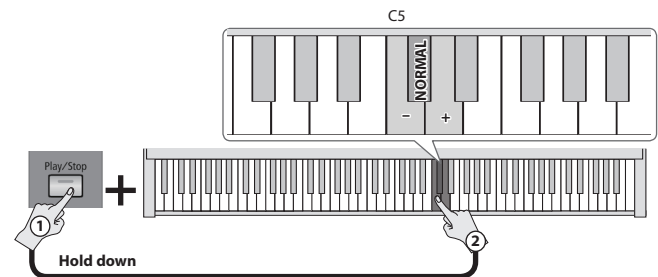
## Changing the Number of Beats

You can choose from 0 (weak beats only), 2 (2 beats), 3 (3 beats), 4 (4 beats), 5 (5 beats), or 6 (6 beats).



## Adjusting the Volume of the Song (Song Volume)

You can adjust the volume of the song (SMF or audio).



\* If the SMF Play Mode is set to "Internal," there will be some parts whose volume does not change when you adjust the Song Volume value. If the SMF Play Mode is set to "External," the volume of all parts will change.

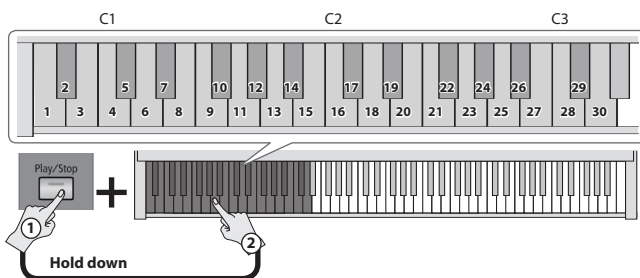
## Playing Back Songs

To play or stop a song, press the [Play/Stop] button.

\* No data for the internal songs that is played will be output from the USB COMPUTER port, Bluetooth (MIDI).

## Selecting a Song

You can select a song number and play back an internal song.



\* If a USB flash drive is connected, songs on the USB flash drive are played.

Save the files in the root level of the USB flash drive (do not create a folder).

The files are played in the order of their name.

Up to 50 songs can be played.

### Playable format

WAV (16-bit, 44.1 kHz)

SMF (format 0, 1)



## Recording Your Performance

You can play back the recorded performance to hear how you played.

The recorded performance is saved on the USB flash drive.

**NOTE**

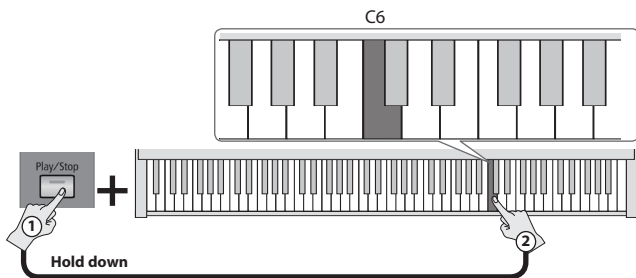
Only one song can be recorded. The second and subsequent recordings overwrite the previous song. If you want to keep the song that you recorded, connect the USB flash drive to your computer and save the recorded file to your computer.

**Recorded file**

(USB flash drive):\ROLAND\SONG\AUDIO001.WAV

## Getting Ready to Record

Before you continue, connect your USB flash drive to the USB Memory port.



The [Play/Stop] blinks, the [Tone] button blinks red, and the instrument is in the record-standby state.

\* In the record-standby state, you can press the [Tone] button to cancel record-standby.

## Recording

In the record-standby state, press the [Play/Stop] button.

The [Play/Stop] button changes from blinking to lit, and recording starts.

**Recorded format**

WAV (16-bit, 44.1 kHz)

## Stopping recording

During recording, press the [Play/Stop] button.

The [Play/Stop] button goes dark, the [Tone] button lights in the color corresponding to the selected tone, and recording ends.

## Playing Back the Recorded Song

After you stop recording, press the [Play/Stop] button; the recorded song plays back.

**MEMO**

If the USB flash drive on which the recorded song is saved is connected, the recorded song plays back when you simply press the [Play/Stop] button.

## Playing back a song from a USB flash drive

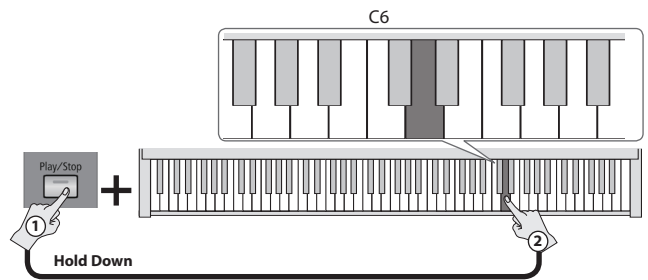
To play back a song that is saved in the root level (top level) of the USB flash drive, proceed as described in "Selecting a song" in the owner's manual.

**MEMO**

If you want to play back a song saved in the root level of the USB flash drive simply by pressing the [Play/Stop] button, connect the USB flash drive to your computer and delete the file that you recorded.

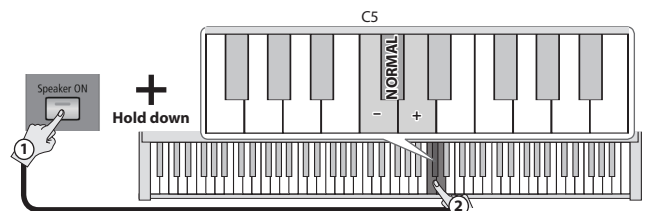
## Selecting the recorded song

If you want to play back the recorded song after you've played back a song that is saved in the root level of the USB flash drive, you'll need to perform the following operation.



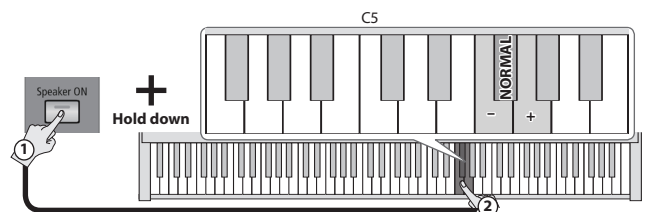
## Adjusting the Reverberation (Ambience)

You can adjust the reverberation of the sound, and get the impression that you are performing in a concert hall (Off, 1-10).



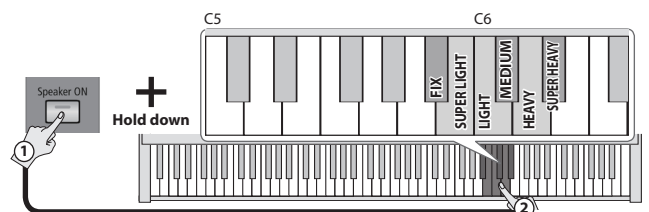
## Adjusting the Brilliance (Brilliance)

Here's how to adjust the brilliance of the sound (-10-0-+10).



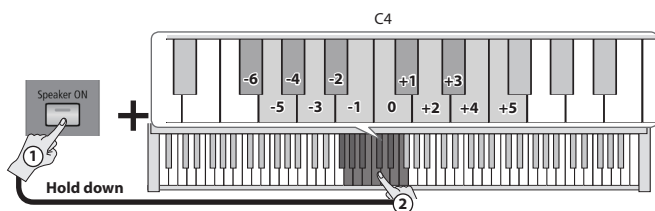
## Changing the Keyboard Playing Feel (Key Touch)

You can change the playing feel of the keyboard.



Setting	Explanation
FIX	The sound plays at one set volume, regardless of the force used to play the keys.
SUPER LIGHT	An even lighter setting than "LIGHT."
LIGHT	You can achieve fortissimo (ff) play with a less forceful touch than "MEDIUM" so the keyboard feels lighter.
MEDIUM (C#6)	Sets the keyboard to the standard touch.
HEAVY	You have to finger the keyboard more forcefully than "MEDIUM" in order to play fortissimo (ff), so the keyboard touch feels heavier.
SUPER HEAVY	An even heavier setting than "HEAVY."

## Changing the Key of the Keyboard (Transpose)



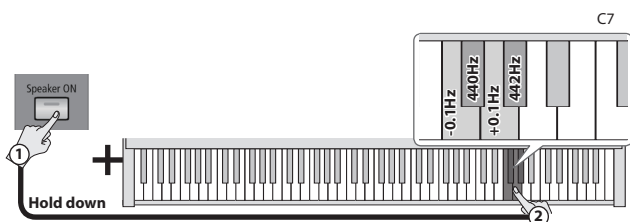
You can use the Transpose function to transpose the keyboard in semitone steps.

For example, if a song is in the key of E major, and you want to play it with the fingering of C major, set Transpose to a value of "+4."



## Matching the Pitch with Other Instruments (Master Tuning)

When playing ensemble with other instruments and in other such instances, you can match the standard pitch to another instrument.



The standard pitch generally refers to the pitch of the note that's played when you finger the middle A key. When playing in an ensemble with other instruments, adjust the standard pitch of all instruments so that they match. Matching the standard pitch with other instruments is called "tuning."

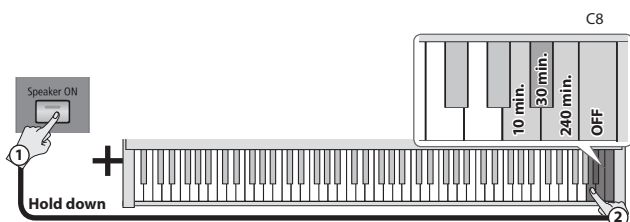
You can adjust the tuning in the range of 415.3 Hz–440.0 Hz (default)–466.2 Hz (in 0.1 Hz steps).

## Making the Power Automatically Turn Off After a Time (Auto Off)

The power to this unit will be turned off automatically after a predetermined amount of time has passed since it was last used for playing music, or its buttons or controls were operated (Auto Off function).

If you do not want the power to be turned off automatically, disengage the Auto Off function.

(Default: 30 min.)



\* This setting is saved automatically.

## Saving the Settings (Memory Backup)

When this unit's power is turned off, it will return to its default settings. However, if desired, you can save the following settings so that they will be remembered even after the power is off. This is called the "Memory Backup" function.

Settings saved by Memory Backup	page
SMF Play Mode	p. 11
Ambience	p. 6
Brilliance	p. 6
Key Touch	p. 6
Master Tuning	p. 7
All Songs for Playback	p. 5

1. Hold down the [Speaker ON] button and press the [Play/Stop] button.

The [Play/Stop] button blinks. Other buttons are lit.

2. Press the [Play/Stop] button.

Memory backup is executed.

If you decide to cancel, press any button other than the [Play/Stop] button.

## Restoring the Factory Settings (Factory Reset)

The settings you've changed in the function mode can be restored to their factory-set condition.

### NOTE

When you execute a factory reset, all settings will be initialized.

1. Hold down the [Speaker ON] button and turn on the power.

The [Speaker ON] button blinks. Other buttons are lit.

2. Press the [Speaker ON] button.

While factory reset is being executed, the [Speaker ON] button blinks and the other buttons are unlit.

When it is completed, all buttons blink.

Never turn off the power while factory reset is being executed.

If you decide to cancel, press any button other than the [Speaker ON] button.

3. Turn the power off, then on again.



# Bluetooth Settings

(Only models equipped with the Bluetooth function)

## Here's What You Can Do

**Bluetooth** functionality creates a wireless connection between a mobile device such as a smartphone or tablet (subsequently referred to as the "mobile device") and this unit, allowing you to do the following.

### Bluetooth audio

Music data played back by the mobile device can be heard through this unit's speakers.

### Page-turning

A music score display app on the mobile device can be controlled from this unit.

### MIDI data transmission and reception

MIDI data can be exchanged between this unit and the mobile device.

## Using Bluetooth Audio

### Registering a Mobile Device (Pairing)

"Pairing" is the procedure by which the mobile device that you want to use is registered on this unit (the two devices recognize each other).

Make settings so that music data saved on the mobile device can be played wirelessly via this unit.

#### MEMO

- Once a mobile device has been paired with this unit, there is no need to perform pairing again. If you want to connect this unit with a mobile device that has already been paired, refer to "Connecting an Already-Paired Mobile Device" (p. 8).
- Pairing is required again if you execute a Factory Reset (p. 7).
- The following steps are one possible example. For details, refer to the owner's manual of your mobile device.

#### 1. Place the mobile device that you want to connect nearby this unit.

#### MEMO

If you have more than one unit of this model of unit, power-on only the unit that you want to pair (power-off the other units).

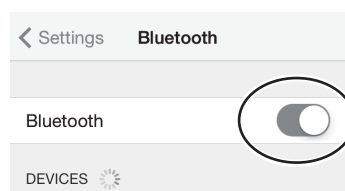
#### 2. While holding down the [F8] button, turn on the power of the KF-10.

The [F8] button blinks. Other buttons are lit.

#### 3. Press the [F8] button.

This unit waits for a response from the mobile device. If you decide to cancel, press any button other than the [F8] button.

#### 4. Turn on the Bluetooth function of the mobile device.



#### MEMO

The explanation here uses the iPhone as an example. For details, refer to the owner's manual of your mobile device.

#### 5. Tap "KF-10 Audio" that is shown in the Bluetooth device screen of your mobile device.

This unit is paired with the mobile device. When pairing succeeds, "KF-10 Audio" is added to the list of "Paired Devices" on your mobile device.

#### MEMO

If the mobile device's screen asks you to enter a "Pass Key," enter "0000" (four zeros).

## Connecting an Already-Paired Mobile Device

#### 1. Turn on the Bluetooth function of the mobile device.

#### MEMO

- If you were unable to establish a connection using the procedure above, tap "KF-10 Audio" that is displayed in the Bluetooth device screen of the mobile device.
- To end the connection, turn off the Bluetooth function of the mobile device.

## Adjusting the Volume of Bluetooth Audio

Normally you'll adjust the volume on your mobile device. If this does not provide the volume adjustment you want, you can adjust the volume as follows.

#### 1. While holding down the [F8] button, press the F1 note of the keyboard to lower the volume, or press the G1 note to raise the volume.

Repeat this step until you reach the desired volume.

#### 2. To return to the default volume, hold down the [F8] button and press the F#1 note of the keyboard.

\* This setting is saved automatically.

## Transferring MIDI Data

Here's how to make settings for transmitting and receiving MIDI data between this unit and the mobile device.

#### 1. Place the mobile device that you want to connect nearby this unit.

#### MEMO

If you have more than one unit of this model of unit, power-on only the unit that you want to pair (power-off the other units).

#### 2. While holding down the [F8] button, press the B0 note of the keyboard.

This unit's MIDI function turns on.

#### MEMO

In some cases when you switch the function, the connection with the mobile device might become unavailable. In this case, take the following steps.

- In the Bluetooth screen of your mobile device, cancel the registration of this unit.
- Turn off the Bluetooth function of your mobile device, and then turn it on again.

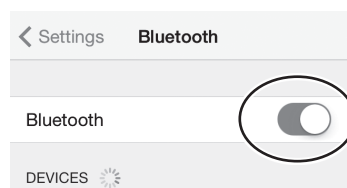
#### 3. In the mobile device's app (e.g., GarageBand), establish a connection with this unit.

When the connection is established, this unit's [F8] button is lit.

## Using the Pedal to Turn Pages on a Music Score App

Here's how to use this unit's pedal to operate (turn pages on) a music score app on your mobile device.

1. Place the mobile device that you want to connect nearby this unit.
2. While holding down the [🔊] button, press the C1 note of the keyboard.  
This unit's page turning function turns on.
3. Turn on the **Bluetooth** function of the mobile device.



### MEMO

The explanation here uses the iPhone as an example. For details, refer to the owner's manual of your mobile device.

4. On your mobile device, tap "KF-10."

This unit will be paired with the mobile device. When pairing succeeds, the model name of this unit ("KF-10") is added to the "Paired Devices" list of the mobile device.

When the connection is established, this unit's [🔊] button is lit.

### MEMO

- If you're using an iOS device (iPhone or iPad), the screen of the iOS device indicates "Bluetooth Pairing Request." Tap the [Pair] button.
- If the screen of the mobile device requests you to enter a "Pass Key," enter "0000" (four zeros).

## If the keyboard is no longer shown on the mobile device

In some cases, depending on the mobile device app that you're using, the keyboard might stop being displayed (i.e., the keyboard might become unavailable).

If you want the mobile device's keyboard to be shown while you're using the page turning function, hold down this unit's [Speaker On] button and press the [🔊] button.

To hide the mobile device's keyboard, once again hold down the [Speaker On] button and press the [🔊] button.

## Connecting an Already-Paired Mobile Device

1. Proceed with steps 1–3 of "Using the Pedal to Turn Pages on a Music Score App" (p. 9).

This unit will be wirelessly connected to the mobile device.

### MEMO

- If the above steps do not succeed in establishing a connection, tap the model name ("KF-10") that is shown in the **Bluetooth** device screen of the mobile device.
- To disconnect, turn the mobile device's **Bluetooth** function off.

## Turning Pages

Start the music score app on your mobile device.

Press the center pedal to turn to the next page, or press the left pedal to turn to the previous page.

## Changing the Operating Keys of the Page Turning Function

The key operations for turning pages will differ depending on the music score display app that you're using. You can choose which keys of this unit will operate the page turning function.

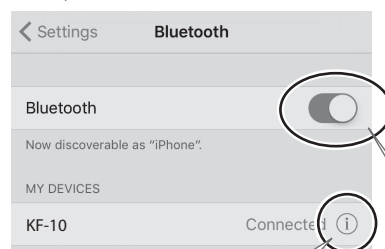
1. While holding down the [🔊] button, press the C#1, D1, or D#1 note of the keyboard.

Key	Setting	Explanation
C#1	Mode1 Cursor Up/Down	The [▲] [▼] keys of the keyboard are used by the page turning app.
D1	Mode2 Page Up/Page Down	The [Page Up] [Page Down] keys of the keyboard are used by the page turning app.
D#1	Mode3 Cursor Left/Right	The [◀] [▶] keys of the keyboard are used by the page turning app.

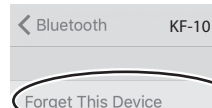
## Note when using an already-paired iOS device

iOS

The following operation is required after each time that you switch the Bluetooth page-turning/MIDI function or execute a factory reset.



1. Disconnect "KF-10."



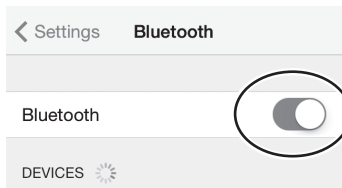
2. Turn off.

For details, refer to the owner's manual of your iOS device.

## Using the Page Turning Function and MIDI Transmit/Receive Function Simultaneously

For example, this lets you use the pedal to turn pages while receiving MIDI and playing sounds on this unit.

1. Place the mobile device that you want to connect nearby this unit.
2. While holding down the [Ⓜ] button, press the E1 note of the keyboard.  
How the page turning function and the MIDI function can be used simultaneously.
3. Turn on the Bluetooth function of the mobile device.



**MEMO**

The explanation here uses the iPhone as an example. For details, refer to the owner's manual of your mobile device.

4. On your mobile device, tap "KF-10."  
This unit will be paired with the mobile device. When pairing succeeds, the model name of this unit ("KF-10") is added to the "Paired Devices" list of the mobile device.  
When the connection is established, this unit's [Ⓜ] button is lit.

**MEMO**

- If you're using an iOS device (iPhone or iPad), the screen of the iOS device indicates "Bluetooth Pairing Request." Tap the [Pair] button.
- If the screen of the mobile device requests you to enter a "Pass Key," enter "0000" (four zeros).

5. In the mobile device's app (e.g., GarageBand), establish a connection with this unit.

## Problems with Bluetooth Functionality

Problem	Cause/Action
This unit does not appear in the Bluetooth device list of your mobile device	If the <b>Bluetooth</b> function is "On" and the Bluetooth Turn/MIDI function is set to "Page turn (Mode1, Mode2)" A device named "KF-10" appears. If the <b>Bluetooth</b> function is "On" and the Bluetooth Turn/MIDI function is set to "MIDI" You can check this from a setting inside your app such as GarageBand.
Can't connect to Bluetooth audio	<b>If this unit is visible as a device in the mobile device's Bluetooth settings</b> Delete the device's registration, initialize the <b>Bluetooth</b> settings, and establish pairing once again. <b>If this unit is not visible as a device</b> Turn the mobile device's <b>Bluetooth</b> function off and then on again, and initiate pairing from this unit to re-establish pairing.
Can't connect to Bluetooth page turning	In some cases, the connection with the mobile device might become unavailable when you switch the <b>Bluetooth</b> Turn/MIDI function. If this unit is visible as a device in the mobile device's <b>Bluetooth</b> settings Delete the device registration, then turn the <b>Bluetooth</b> function "Off" and "On" again, and then reestablish pairing.
Can't connect to Bluetooth MIDI	In some cases, the connection with the mobile device might become unavailable when you switch the <b>Bluetooth</b> Turn/MIDI function. If you can see the device from the settings in GarageBand or other app Delete the device registration, then turn the <b>Bluetooth</b> function "Off" and "On" again, and then reestablish pairing. If you can't see the device from the settings in GarageBand or other app Delete the device from the <b>Bluetooth</b> settings, turn the mobile device's <b>Bluetooth</b> function off and on again, and reestablish the connection.
Can't connect via MIDI	<b>Bluetooth</b> MIDI is only compatible with iOS. Also, you must make the connection not from the mobile device's <b>Bluetooth</b> setting but from the setting within GarageBand or other app that you're using.
Can't establish pairing with the page turning function and MIDI function	This unit's <b>Bluetooth</b> function establishes pairing the first time you select and pair it from your mobile device. You don't need to initiate pairing from this unit.
Can't connect a paired mobile device	If the connection breaks immediately after it is established, or when you switch the page turning function and MIDI data transmit/receive function, turning the Bluetooth device's Bluetooth switch off and then on again may allow connection to occur.
Keyboard no longer appears (becomes unavailable) on the mobile device	In some cases, depending on the mobile device app that you're using, the keyboard might stop being displayed (i.e., the keyboard might become unavailable). If you want the mobile device's keyboard to be shown while you're using the page turning function, hold down this unit's [Speaker On] button and press the [Ⓜ] button. To hide the mobile device's keyboard, hold down the [Speaker On] button and press the [Ⓜ] button once again.
Pedal doesn't work, or its effect is stuck	If the <b>Bluetooth</b> page-turning function is on, and this unit is connected with a mobile device, the center pedal and left pedal cannot be used as the sostenuto pedal and soft pedal.

## Initializing the Bluetooth Settings

Here's how to initialize the data for previously-paired mobile devices.

1. Hold down the [Play/Stop] button and turn on the power.

The [Play/Stop] button blinks. Other buttons are lit.

2. Press the [Play/Stop] button.

The Bluetooth settings are initialized.

If you decide to cancel, press any button other than the [Play/Stop] button.



# Troubleshooting

Problem	Cause/Action
Even though you're using headphones and the sound is muted, a thumping sound is heard when you play the keyboard	This unit uses a hammer action keyboard in order to simulate an acoustic piano's playing touch as realistically as possible. For this reason, you'll hear the hammers thump when you play the keyboard, just as you would when playing an acoustic piano. Since this unit allows you to adjust its volume, you might notice the sound of the hammers in certain situations, but this does not indicate a malfunction. If vibration transmitted to the floor or walls is a concern, you may be able to minimize the vibration by moving the piano away from the wall, or by laying down a commercially available anti-vibration mat designed for use with pianos.
Power turns off on its own	With the factory settings, the unit's power will automatically be switched off 30 minutes after you stop playing or operating the unit. If you don't need the power to turn off automatically, turn the "Auto Off" setting "OFF" (p. 7).
Power does not turn on	Is the AC adaptor connected correctly (p. 3)?
Pedal does not work, or is "stuck"	Is the pedal connected correctly? Plug the cord firmly into the Pedal jack (p. 3).
No sound/No sound when you play back a song	Could the unit's volume be turned down? Could headphones be connected? The speakers will not produce sound if headphones is connected to the Phones jack (p. 3).
Pitch of the keyboard or song is incorrect	Could you have made Transpose settings (p. 7). Is the Master Tune setting appropriate (p. 7). The notes of a piano are tuned using a unique method (stretched tuning), which makes upper-range notes slightly higher in pitch, and lower-range notes slightly lower in pitch. For this reason, you might perceive the pitch as being incorrect, but this is the way an acoustic piano should sound.
The sound of the higher notes suddenly changes from a certain key	On an acoustic piano, the approximately one and a half octaves of notes at the upper end of the keyboard will continue sounding regardless of the damper pedal. These notes also have a somewhat different tonal character. This unit faithfully simulate this characteristic of acoustic pianos. On this unit, the range that is unaffected by the damper pedal will change according to the transpose setting.
High-pitched ringing is heard	If you hear this in headphones: Piano sounds that have a brilliant and crisp character contain substantial high-frequency components that may sound as though a metallic ringing has been added. This is because the characteristics of an actual piano are being faithfully reproduced, and is not a malfunction. This ringing is more obtrusive if the reverb effect is applied heavily, so you may be able to minimize it by decreasing the reverb. If you don't hear this in headphones: It is likely that there is some other reason (such as resonances within the unit). Please contact your dealer or the nearest Roland service center.

Problem	Cause/Action
Sound wrong, or are buzzy	If you set the volume to the maximum setting, the sound may be distorted depending on how you perform. If this occurs, turn down the volume. <b>If you don't hear this in headphones:</b> Performing at high volumes may cause the speakers or objects near the unit to resonate. Fluorescent lights or glass doors may also resonate sympathetically. In particular, this is more likely to occur for lower notes and higher volumes. You can take the following measures to minimize resonances. <ul style="list-style-type: none"> <li>• Locate this unit 30 cm (12 inch) away from walls or other surfaces.</li> <li>• Keep the volume down.</li> <li>• Move away from the objects that are resonating.</li> </ul>
	<b>If you hear this in headphones:</b> It is likely that there is some other reason. Please contact your dealer or a nearby Roland service center.
Power turns off	In some cases, playing back extremely high-volume SMF or WAV data from a USB flash drive may cause the protection circuit to operate, turning the power off. If this occurs, reduce the volume.

## Error Indications

The [Tone] and [8] (or [Metronome]) buttons, and the [Play/Stop] and [Speaker ON] buttons, light alternately.

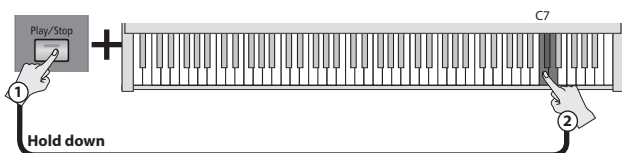
This error is indicated in the following situations.

- Loading from USB flash drive failed
- The format of the loaded data is not supported
- You attempted to load audio that cannot be played
- There is insufficient storage capacity
- More MIDI data was received than could be processed
- MIDI communication error occurred
- Excessive current was drawn by the USB flash drive
- Memory backup failed
- Factory reset failed
- Initializing Bluetooth settings failed
- You attempted to enter the record-standby state without connecting a USB flash drive

# Other Function

## Specifying the Song (SMF) Playback Mode (SMF Play Mode)

When playing back a song (SMF), select the appropriate setting depending on whether you're playing an internal song or external data.



Key	Setting	Explanation
C7	Internal	The most suitable tone for the song that's playing is selected. This setting is ideal when playing back an internal song or a song that was recorded on this unit.
C#7	External	The currently selected tone is used when you play back the song. This setting is ideal when playing back external data such as commercially available music data.
D7	Auto	"Internal" mode is automatically selected when playing back an internal song, and "External" mode is automatically selected when playing back a song from a USB flash drive.

### Take care when using a mobile device such as a tablet or smartphone with this piano

- If you place a mobile device on this piano, the device or the piano might be scratched depending on how or where you place the device.
- If the mobile device contacts a moving part when the music rest or the keyboard lid is opened or closed, the device or the piano might be damaged.

English

日本語

Deutsch

Français

Italiano

Español

Português

Nederlands

# Assembling the Piano

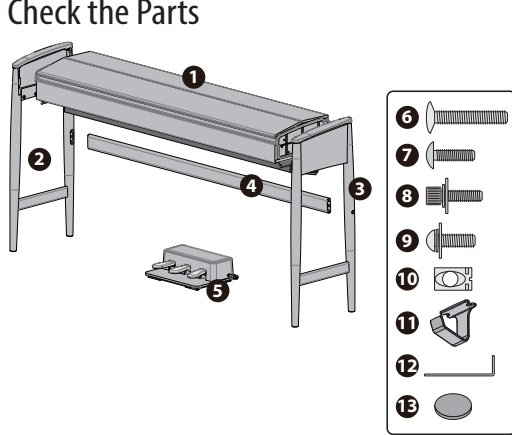
- \* To ensure that you assemble this unit correctly, please read this manual carefully before you begin assembly. Keep this manual nearby for reference when needed.
- \* Keep this unit horizontal when lifting it during assembly or transport.
- \* Be careful not to pinch your hands or drop this unit on your foot during assembly or transport.
- \* You must obtain the assistance of at least one additional person when assembling or transporting this unit.
- \* Keep small parts such as screws and cord clamps out of the reach of small children to ensure that these items are not swallowed accidentally.
- \* The screwdriver needed for assembly is not included. You will need to provide a Phillips screwdriver of the appropriate size for the screws.
- \* You should initially tighten each screw loosely before tightening them to their final position. Start by tightening the screws until they are approximately half hidden. Do not use a power screwdriver when tightening the screws to their final position. Doing so may strip the threads.
- \* Tighten the screws firmly, and place the unit at a location that is level and sure to remain stable. Never place the unit on a shag carpet. If you do so, the pedal may be unstable, causing damage.
- \* Do not place the piano main unit directly on the floor. Doing so will damage the jacks and holders on the bottom of the piano, and also damage the -bottom panel case.
- \* The wooden portions of this instrument feature a traditional finish that can be damaged. Take care not to allow it to be bumped or abraded.

## About natural marks

The wooden parts of this instrument are finished in a way that maximizes the natural character of the wood and its sense of quality. For this reason, the color and woodgrain (natural marks) of your unit will differ from other units of the same model.

This is an indication that natural wood is used, and is not a problem with the quality.

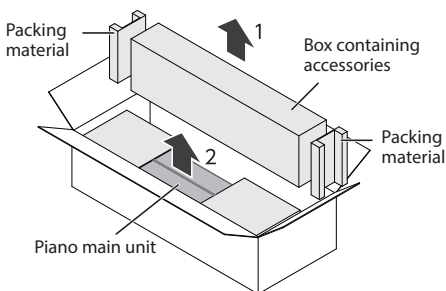
## Check the Parts



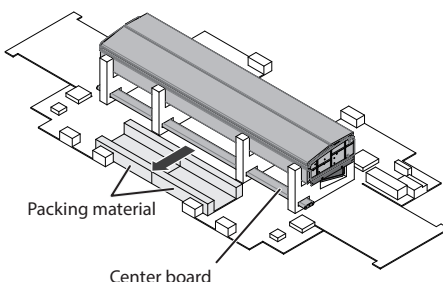
- 1 Piano main unit
- 2 Side leg assembly L
- 3 Side leg assembly R
- 4 Center board
- 5 Pedal unit
- 6 Screws (6 x 70 mm): 2 pcs.
- 7 Screws (5 x 20 mm): 6 pcs.
- 8 Hex socket head cap bolts (6 x 40 mm): 14 pcs.
- 9 Screws (4 x 16 mm): 2 pcs.
- 10 Cross dowel: 2 pcs.
- 11 Headphone hook: 1 pcs.
- 12 Hexagon wrench
- 13 Felt: 6 pcs.
- 14 (Bench) Seat leg assembly: 2 pcs.
- 15 (Bench) Flame
- 16 (Bench) Seat

## Assembling the KF-10

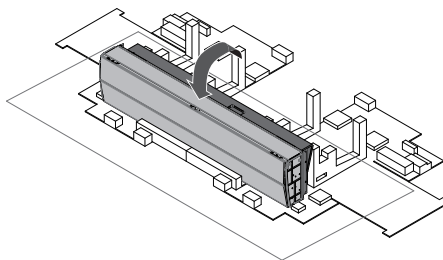
1. Remove the box containing the accessories, remove the packing material from both sides, and then remove the main unit.



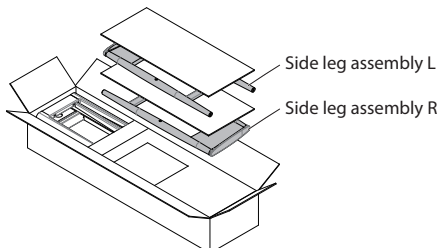
2. Open the packaging of the main unit, and place the two pieces of packing material that you removed in step 1 in front of the main unit. Pull the center board out toward yourself through the cutouts in the packing material.



3. Place the main unit upright between the pads of the packing material that you placed in step 2, and spread out the protective mat in which the main unit was wrapped.

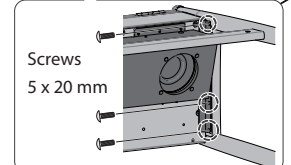
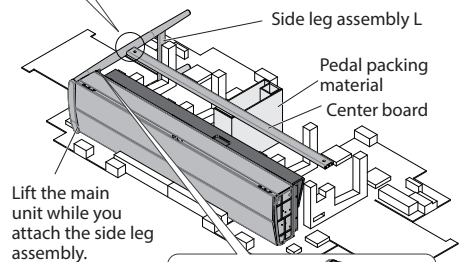
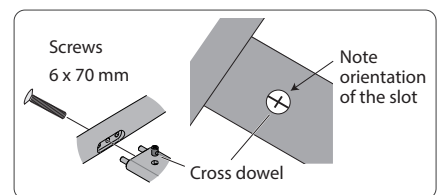


4. Open the box containing the accessories, and remove side leg assemblies L and R.

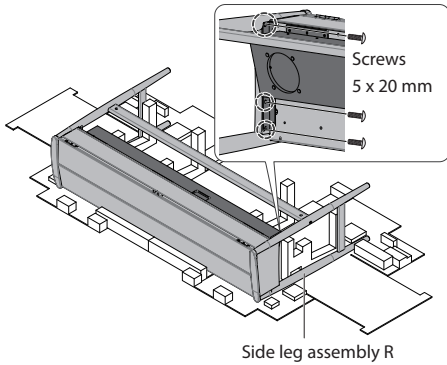


5. Use screws (5 x 20) to provisionally fasten side leg assembly L at three locations. Attach the center board to side leg assembly L, and use a screw (6 x 70) and a cross dowel to fasten them.

\* If you need to support the center board, use the pedal's packing material.

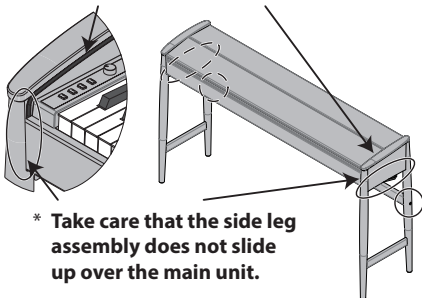


- 6.** Use screws (5 x 20) to provisionally fasten side leg assembly R to the main unit at three locations, and use a screw (6 x 70) and a cross dowel to fasten the center board.



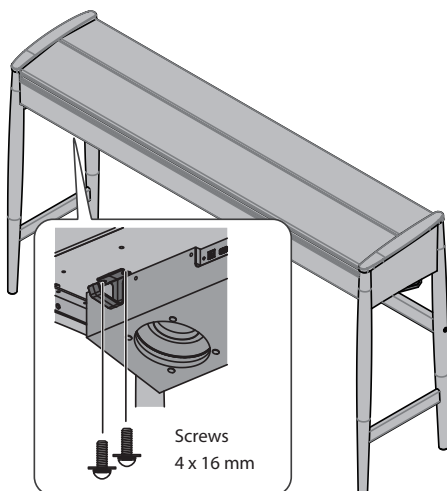
- 7.** Place the main unit upright, and finish tightening the screws that you tightened provisionally in steps 5 and 6; first tighten the screws of the side leg assemblies and then the screws of the center board (eight locations).

\* Ensure that there are no gaps between the side leg assemblies and the main unit.

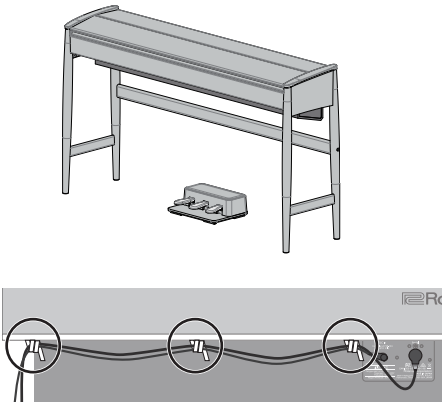


\* After you have provisionally assembled the unit, be sure to finish tightening the screws securely.

- 8.** Use screws (4 x 16) to fasten the headphone hook.

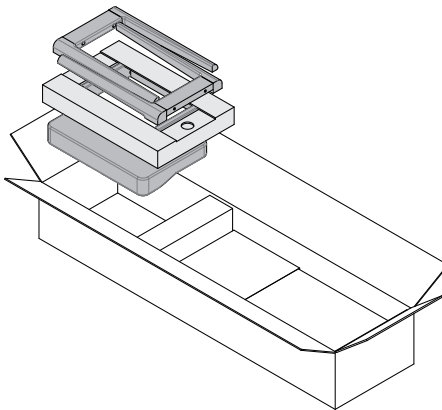


- 9.** Connect the AC adapter to the DC In jack located on the rear panel of the piano, and connect the pedal cord to the Pedal jack. Use the coated clips to secure the pedal cord and AC adapter cord (three locations).

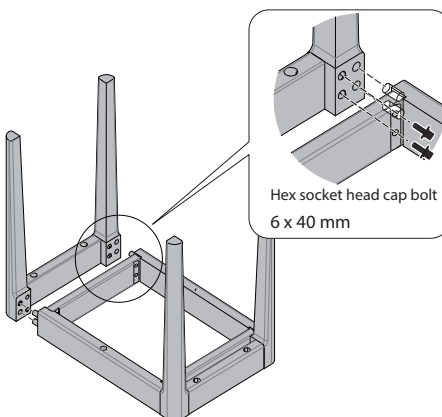


## Assembling the Dedicated Bench

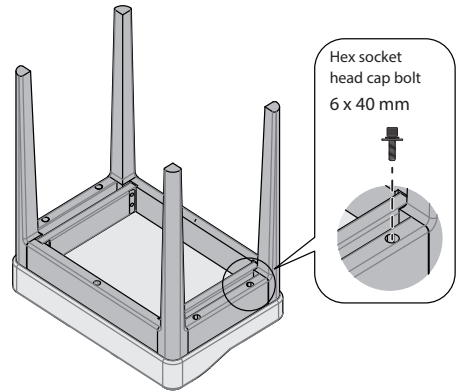
- 1.** From the box containing the accessories, remove the bench seat leg assemblies (2 pcs.) and the frame.



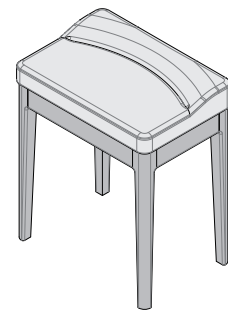
- 2.** Use the dowels to connect the frame to the seat leg assemblies, and use eight hex socket head cap bolts (6 x 40) to provisionally fasten them.



- 3.** Use six hex socket head cap bolts (6 x 40) to fasten the seat to the parts that you assembled in step 2.

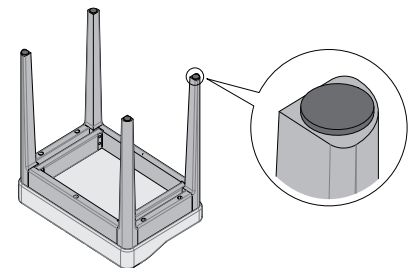


- 4.** Stand the bench upright, and securely tighten all of the bolts.



If the bench wobbles, affix the included felt pads to the bottom of the legs.

\* Don't affix the felt pads if you're using the bench on carpet.



## When moving the unit

If you need to move the unit, close the keyboard cover and disconnect the AC adaptor and the pedal unit. With at least one other person helping you, lift the unit horizontally and carry it, taking care not to pinch your hands or drop the unit on your feet.



# Main Specifications

## Roland & karimoku KIYOLA MADE IN JAPAN Series KF-10: Digital Piano

<b>Keyboard</b>	PHA-50 Keyboard: Wood and Plastic Hybrid Structure, with Escapement and Ebony/Ivory Feel (88 keys)
<b>Power Supply</b>	AC adaptor
<b>Power Consumption</b>	11 W
<b>Dimensions</b>	With Lid Closed: 1,396 (W) x 337 (D) x 782 (H) mm 55 (W) x 13-5/16 (D) x 30-13/16 (H) inches With Lid Open: 1,396 (W) x 337 (D) x 910 (H) mm 55 (W) x 13-5/16 (D) x 35-7/8 (H) inches
<b>Weight (including piano stand)</b>	KF-10-KW: 33.0 kg/72 lbs 13 oz KF-10-KO: 33.2 kg/73 lbs 4 oz
<b>Accessories</b>	Owner's Manual, Leaflet "USING THE UNIT SAFELY," Operation Guide, Leaflet Stand Assembly, AC Adaptor, Power Cord, Headphone Hook Dedicated pedal, dedicated fixed bench
<b>Option (sold separately)</b>	USB Flash Memory (*) * Use USB Flash Memory sold by Roland. We cannot guarantee operation if other products are used.

\* In the interest of product improvement, the specifications and/or appearance of this unit are subject to change without prior notice.

# Intellectual Property Right

It is forbidden by law to make an audio recording, video recording, copy or revision of a third party's copyrighted work (musical work, video work, broadcast, live performance, or other work), whether in whole or in part, and distribute, sell, lease, perform or broadcast it without the permission of the copyright owner.

Do not use this product for purposes that could infringe on a copyright held by a third party. We assume no responsibility whatsoever with regard to any infringements of third-party copyrights arising through your use of this product.

This product contains eParts integrated software platform of eSOL Co., Ltd. eParts is a trademark of eSOL Co., Ltd. in Japan.

The **Bluetooth**® word mark and logos are registered trademarks owned by Bluetooth SIG, Inc. and any use of such marks by Roland is under license.

This Product uses the Source Code of µT-Kernel under T-License 2.0 granted by the T-Engine Forum ([www.tron.org](http://www.tron.org)).

Roland, SuperNATURAL, KIYOLA are either registered trademarks or trademarks of Roland Corporation in the United States and/or other countries.

karimoku is a registered trademark or trademark of KARIMOKU FURNITURE INC.

Company names and product names appearing in this document are registered trademarks or trademarks of their respective owners.

# Internal Song List

No.	Song Name	Composer	Piano Solo
1	TAKUMI -Made in Japan-	TAKESHI SENOO	
2	Floral Pursuits	Léo Delibes, Arranged by John Maul	
3	The Nutcracker "Waltz of the Flowers" (Jazz Arrangement)	Peter Ilyich Tchaikovsky, Arranged by Masashi Hirashita	
4	Swan-derful Samba	Peter Ilyich Tchaikovsky, Arranged by John Maul	
5	My Pleasure	Masashi Hirashita	
6	Windy Afternoon	Masashi Hirashita	
7	L'éveil de l'amour	Masashi Hirashita	
8	Scrambled Egg	Masashi Hirashita	
9	Bop On The Rock	John Maul	
10	Late Night Chopin	John Maul	
11	Trio Grande	John Maul	
12	Wedding Song	John Maul	
13	Widmung S.566 R.253	Robert Alexander Schumann, Arranged by Franz Liszt	*
14	Étude, op.10-12	Fryderyk Franciszek Chopin	*
15	Barcarolle	Fryderyk Franciszek Chopin	*
16	Zhavoronok	Mikhail Ivanovich Glinka, Arranged by Mily Alexeyevich Balakirev	*
17	Sonate für Klavier Nr.23 1	Ludwig van Beethoven	*
18	Sonate für Klavier Nr.23 2	Ludwig van Beethoven	*
19	Sonate für Klavier Nr.23 3	Ludwig van Beethoven	*
20	Valse, op.34-1	Fryderyk Franciszek Chopin	*
21	Polonaise op.53	Fryderyk Franciszek Chopin	*
22	Nocturne No.20	Fryderyk Franciszek Chopin	*
23	Die Forelle	Franz Peter Schubert, Arranged by Franz Liszt	*
24	Reflets dans l'Eau	Claude Achille Debussy	*
25	La Fille aux Cheveux de Lin	Claude Achille Debussy	*
26	La Campanella	Franz Liszt	*
27	Scherzo No.2	Fryderyk Franciszek Chopin	*
28	The Marriage of Figaro "Overture" (Piano Arrangement)	Wolfgang Amadeus Mozart, Arranged by Masashi Hirashita	
29	Danse des Mirlitons	Peter Ilyich Tchaikovsky	
30	Salut d'amour	Edward Elgar	



T-1500130

 Roland

&

karimoku



\* 5 1 0 0 0 4 9 6 2 6 - 0 3 \*