



MIDI KEYBOARD CONTROLLER A-88MKII

Owner's Manual



Owner's Manual (this document)

Read this first. This explains basic operation.



PDF Manual (download from the Web)

- **A-88MKII Control Manual (English)**

This explains A-88MKII Control.



To obtain the PDF manual

1. Enter the following URL in your computer.

<http://www.roland.com/manuals/>



2. Choose "A-88MKII."



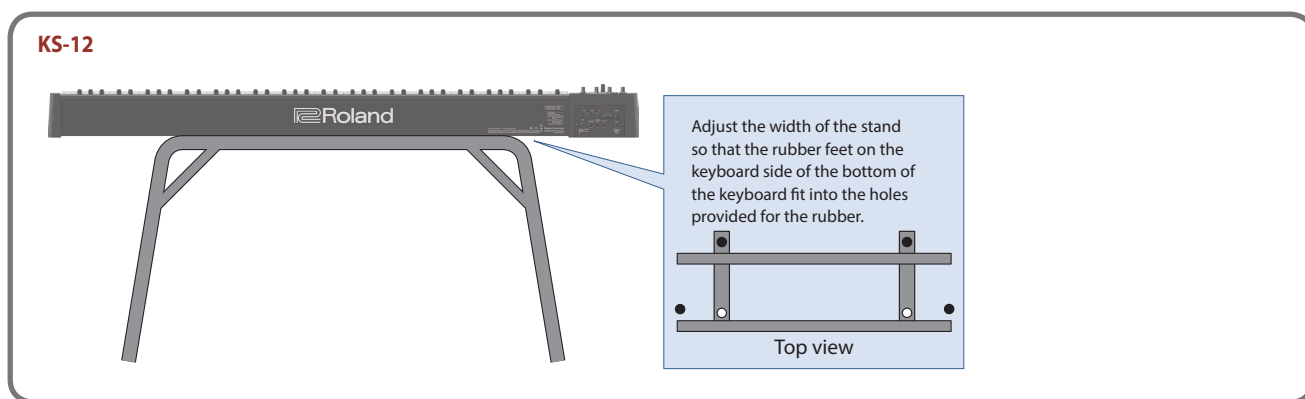
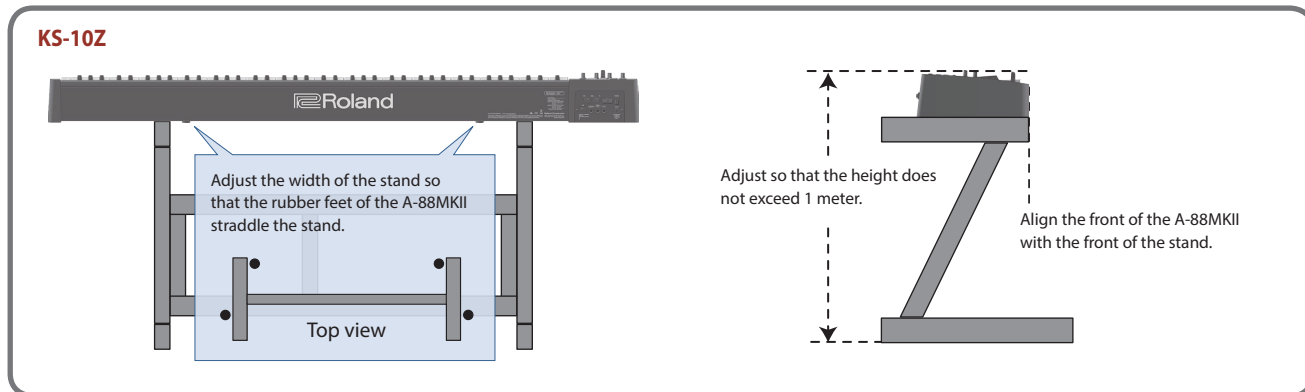
Introduction

Placing the A-88MKII on a Stand

If you want to place the A-88MKII on a stand, use the Roland KS-10Z or KS-12. Place the A-88MKII on the stand as follows.

Be sure to follow the instructions in the Owner's Manual carefully when placing this unit on a stand. If it is not set up properly, you risk creating an unstable situation which could lead to the unit falling or the stand toppling, and may result in injury.

* Be careful not to pinch your fingers when setting up the stand.



Turning the A-88MKII On

* Once everything is properly connected (p. 5), be sure to follow the procedure below to turn on their power. If you turn on equipment in the wrong order, you risk causing malfunction or equipment failure.

1. Power-on your equipment in the order of A-88MKII → connected equipment.
2. Power-on the connected equipment, and raise the volume to an appropriate level.

* If the A-88MKII is not connected to a computer, it automatically powers-off four hours after it was last played or operated (Auto Off function).

If you do not want the power to be turned off automatically, disengage the Auto Off function.

- To restore power, turn the power on again.

Turning Off the Power

1. Power-off your equipment in the order of connected equipment → A-88MKII.

Making the Power Automatically Turn Off After a Time (Auto Off)

If the A-88MKII is not connected to a computer, it automatically powers-off four hours after it was last played or operated (if the factory settings have been unmodified). If you don't want the unit to turn off automatically, change the "AUTO OFF" setting to "OFF" as described below.

1. Press the [FUNC] button.
2. Press the keys that have "MISC" printed above them.
3. Use the OCTAVE [-] [+] buttons to make the setting.

Parameter	Button	Explanation
MISC	OCTAVE [-]	OFF: The power will not turn off automatically.
	OCTAVE [+]	ON (default): If the A-88MKII is not connected to a computer, it automatically powers-off four hours after it was last played or operated.

4. Press the [NEXT] (ENTER) button.

Contents

Introduction	2
◇ Placing the A-88MKII on a Stand	2
◇ Turning the A-88MKII On	2
Turning Off the Power	2
◇ Making the Power Automatically Turn Off After a Time (Auto Off)	2
Main Specifications	3
Panel Descriptions	4
◇ Top Panel	4
◇ Rear Panel (Connecting Your Equipment)	5
Restoring the Factory Settings (FACTORY RESET) ..	5
Overview of the A-88MKII	6
Zone Settings (FUNCTION)	7
◇ Specifying the MIDI Transmit Channel (MIDI CHANNEL)	7
◇ Specifying the Bank Select MSB/LSB (BANK MSB/LSB)	7
◇ Specifying the Zone's Output Destination (OUTPUT)	7
Playing	8
◇ Specifying the Velocity Curve (VELO CURVE)	8
◇ Specifying the Zone and Key Range (Zone Settings)	8
Playing One Sound (Single)	8
Playing Multiple Layered Sounds (Layer)	8
Specifying a Key Range for Sounds (Split)	8
Transmitting Controller Messages to a Specific Zone (Target Zone)	9
◇ Changing the Octave (Octave Shift)	9
◇ Changing the Pitch in Semitones (Transpose)	9
◇ Using the Knobs to Transmit Control Change Messages ..	9
◇ Using the Pads to Transmit MIDI Messages	10
Using the Pads to Switch Sounds (Program Change)	10
Using the Pads to Transmit Control Changes (Cc/Control Change) ..	10
Using the Pads to Play Notes (Note On)	10

◇ Performing Arpeggios	11
Changing the Steps of the Arpeggio (ARPEGGIATOR STEP)	11
Changing the Note Duration (ARPEGGIATOR GATE)	11
Saving the Settings (SNAP SHOT)	12
◇ Recalling a SNAP SHOT	12
◇ Saving a SNAP SHOT	12
System Settings (FUNCTION)	13
◇ Specifying the Keyboard Velocity Values (KEY VELO)	13
◇ Preventing Suspend When USB-Connected (NO SUSPEND) ..	13
◇ Selecting the USB Driver (DRIVER)	13
◇ Setting the Operation of the Pedal (CTRL DIR)	13
◇ Switching the Operation of the Pads (Latch/Momentary)	14
◇ Assigning a Controller Number to a Knob	14
◇ Using Pedals to Modify the Sound	14
◇ Assigning a Program Change Message to a Pad (PROG CHG)	14
◇ Assigning a Control Change Message to a Pad (CC)	14
◇ Assigning Note Messages to Pads (NOTE)	14
◇ Halting Stuck Notes (PANIC)	14
USING THE UNIT SAFELY	15
IMPORTANT NOTES	16

Main Specifications

Roland A-88MKII: MIDI Keyboard Controller

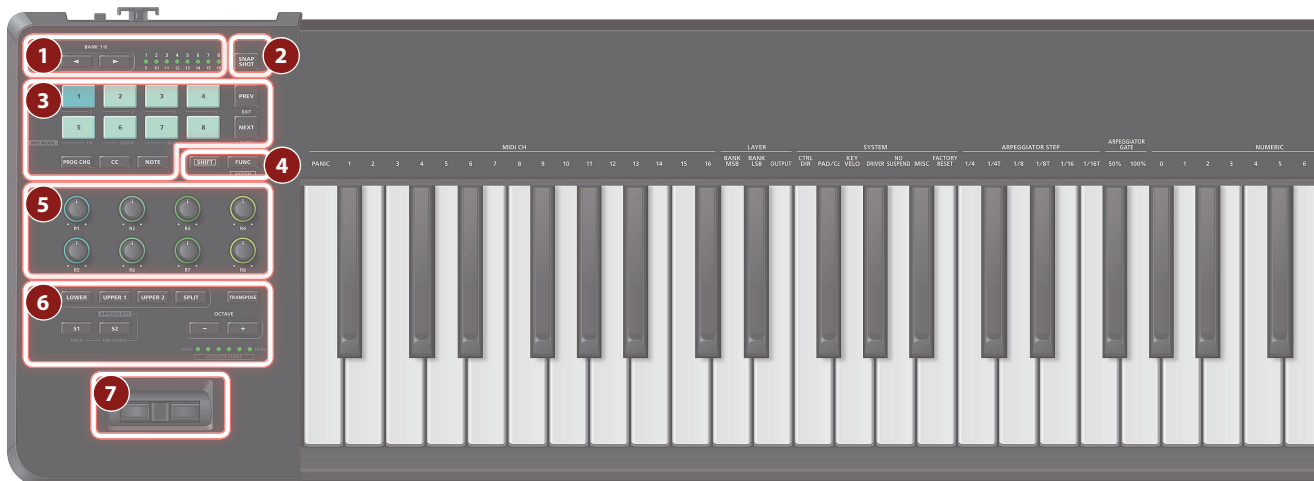
Keyboard	88 keys (PHA-4 Standard Keyboard: with Escapement and Ivory Feel)
Power Supply	Supplied from the computer via USB COMPUTER port AC-Adaptor
Current Draw	260 mA (USB) 300 mA (AC adaptor)
Dimensions	1,429 (W) x 274 (D) x 119 (H) mm 56-5/16 (W) x 10-13/16 (D) x 4-11/16 (H) inches
Weight	16.3 kg / 35 lbs 15 oz
Accessories	Owner's manual USB Type-C to USB Type-C cable USB Type-C to USB A type cable

Options	Keyboard stand (KS-10Z, KS-12) Piano pedal (RPU-3) Damper pedal (DP-10) Pedal switch (DP-2) Expression pedal (EV-5) AC-Adaptor (PSB-1U)
----------------	--

* This document explains the specifications of the product at the time that the document was issued. For the latest information, refer to the Roland website.

Panel Descriptions

Top Panel



1 PAD control

BANK [◀] [▶] button

Switch banks 1–8.

By holding down the [SHIFT] button and using the BANK [◀] [▶] buttons, you can switch to banks 9–16.

BANK indicator

The currently selected bank is lit. White indicates banks 1–8 and red indicates banks 9–16.

2

[SNAP SHOT] (WRITE) button

This lets you save assignments and zone settings to user memory as a snapshot, or load them.

3

PAD [1]–[8]

Use these to transmit the assigned messages.

[PREV] (EXIT) button

Returns to the previous program change.

This is also used to cancel a setting.

[NEXT] (ENTER) button

Advances to the next program change.

This is also used to confirm a setting.

[PROG CHG] button

Makes the pads transmit program changes.

[CC] button

Makes the pads transmit control changes.

[NOTE] button

Makes the pads transmit notes.

4

[SHIFT] button

Used together with other buttons to execute various functions.

[FUNC] (ASSIGN) button

If you press this button so it's lit, you can change the MIDI channel or transmit a program number by pressing the appropriate keys (p. 7).

5 Assignable control

[1]–[8] knobs

You can switch sounds by pressing these buttons.

6 Zone control

These buttons allow you to play three layered sounds simultaneously (Layer), or to play different sounds in the left and right sections of the keyboard, divided at a specified key (Split) (p. 8).

[LOWER] [UPPER1] [UPPER2] buttons

Turn each zone on (button lit) or off (button unlit).

[SPLIT] button

When split is on (button lit), the keyboard is divided for performance.

[S1] [S2] buttons

You can send control change messages by pressing these buttons.

Default: [S1] CC#80, [S2] CC#81

[TRANSCOPE] button

While you hold down the [TRANSCOPE] button, the OCTAVE/TRANSCOPE indicator and OCTAVE [-] [+] button functions are switched.

When the [TRANSCOPE] button is turned on, the transposition setting is enabled. When the [TRANSCOPE] button is turned off, the transposition setting is disabled.

OCTAVE [-] [+] buttons

These buttons let you shift the pitch of the keyboard up or down in steps of one octave.

OCTAVE / TRANSCOPE indicator

Indicates the octave or transposition value.

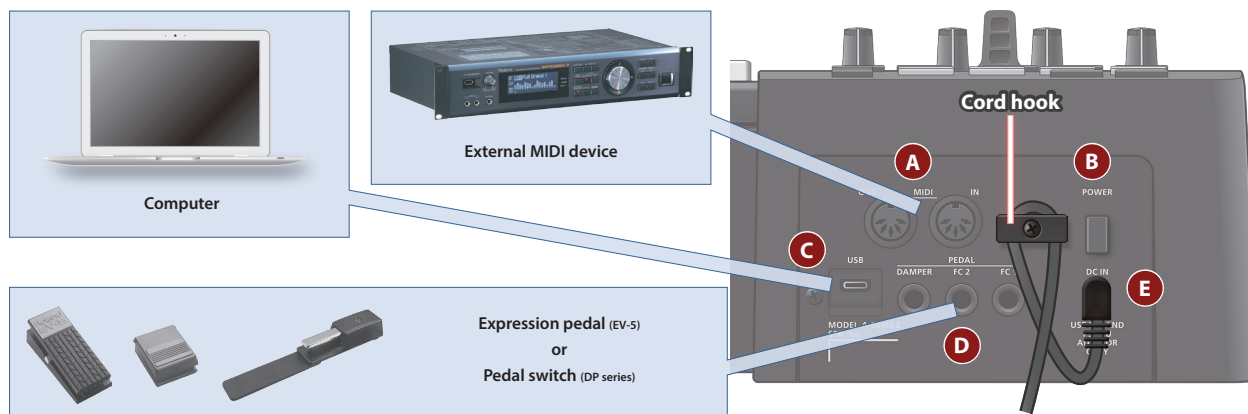
7 Pitch Bend / Modulation

Pitch Bend / Modulation lever

Use this lever to vary the pitch or to apply vibrato.

Rear Panel (Connecting Your Equipment)

* To prevent malfunction and equipment failure, always turn down the volume, and turn off all the units before making any connections.



A MIDI (IN/OUT) connectors

Transmit or receive MIDI messages to or from an external MIDI device connected here.

NOTE

Data from MIDI IN might lag while a snapshot is being saved or loaded.

B [POWER] switch

Turns the power on/off (p. 2).

C USB port (Type C)

Use a USB cable to connect this port to a USB port of your computer. This allows the A-88MKII to operate as a USB MIDI device. There's no need to install a driver.

* Do not use a USB cable that is designed only for charging a device. Charge-only cables cannot transmit data.

D Pedal jacks

Connect a separately sold Roland DP series or EV-5 pedal.

* Use only the specified expression pedal. By connecting any other expression pedals, you risk causing malfunction and/or damage to the unit.

* In order to use an expression pedal, you must make settings in the dedicated app.

E DC-IN jack

Connect the AC adaptor (sold separately) here.

* Use the cord hook to secure the cord of the AC adaptor as shown in the illustration.

Restoring the Factory Settings (FACTORY RESET)

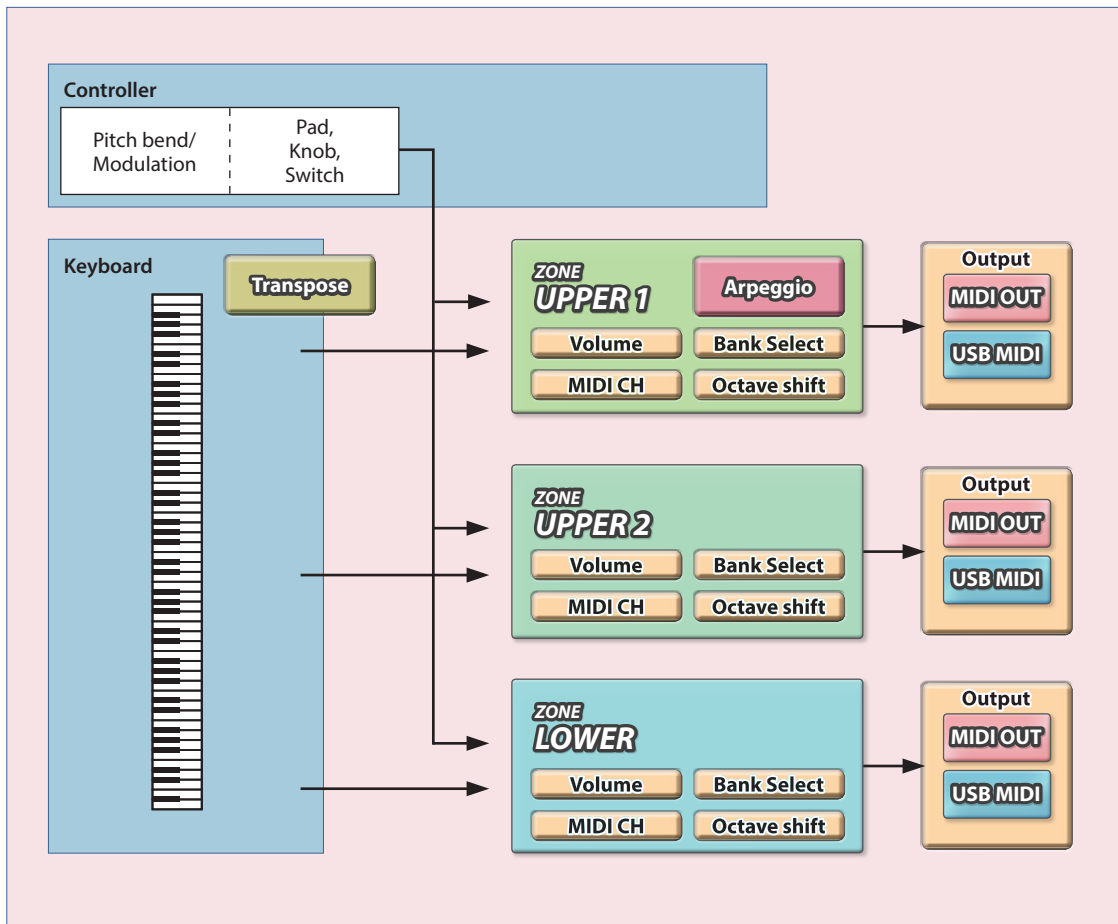


1. Press the **[FUNC]** button.

2. Press the keys that have "FACTORY RESET" printed above them.

3. Press the **[NEXT] (ENTER)** button.

Overview of the A-88MKII



Three Zones (LOWER, UPPER 1, UPPER 2)

The A-88MKII stores the keyboard settings for three zones, LOWER, UPPER 1 and UPPER 2.

The keyboard settings include the output setting, MIDI channel, volume, bank select and octave shift.

Settings stored by each zone

OUTPUT

⇒ "Zone Settings (FUNCTION)" (p. 7) → "OUTPUT"

The output destination port names differ depending on the driver setting of "Selecting the USB Driver (DRIVER)" (p. 13).

For GENERIC

Port name	Explanation
A-88MK2 port 1	Keyboard, control
A-88MK2 port 2	MIDI (IN/OUT) connectors p. 5)

For the dedicated driver

Port name	Explanation
A-88MK2	Keyboard, control
A-88MK2 MIDI	MIDI IN/OUT
A-88MK2 port 2	MIDI (IN/OUT) connectors (p. 5)

MIDI OUT CH

⇒ "Zone Settings (FUNCTION)" (p. 7) → "MIDI CHANNEL"

VOLUME

Control change (CC#7)

Bank select

⇒ "Zone Settings (FUNCTION)" (p. 7) → "Bank Select MSB/LSB"

OCTAVE

⇒ "Changing the Octave (Octave Shift)" (p. 9)

Zone Settings (FUNCTION)

Specifying the MIDI Transmit Channel (MIDI CHANNEL)

In order for you to play sounds on a MIDI sound module, the A-88MKII's MIDI transmit channel must match the MIDI sound module's MIDI receive channel.

NOTE

This setting is remembered even when you turn off the power.



- 1. Press the [FUNC] button.**
The target's zone button blinks. You can change the target by pressing a different zone button.
- 2. Press the keys that have "MIDI CH 1-16" printed above them.**

Specifying the Bank Select MSB/LSB (BANK MSB/LSB)



- 1. Press the [FUNC] button.**
The target's zone button blinks. You can change the target by pressing a different zone button.
- 2. Press the keys that have "BANK MSB" or "BANK LSB" printed above them.**
- 3. Press the keys that have "NUMERIC (0-9)" printed above them to input value.**
Range: 0-127
- 4. Press the [NEXT] (ENTER) button.**
Each time you use the pads to send a program change, the MSB and LSB are also transmitted.

Specifying the Zone's Output Destination (OUTPUT)

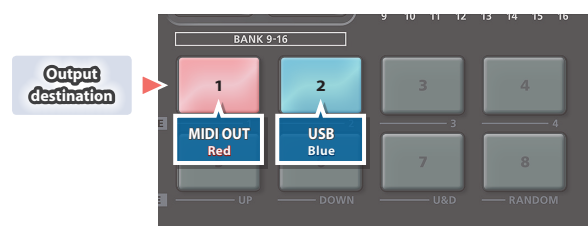


- 1. Press the [FUNC] button.**
The target's zone button blinks. You can change the target by pressing a different zone button.
- 2. Press the keys that have "OUTPUT" printed above them.**
- 3. Press pad [1] or [2] to specify the output.**

Pad	Lit	Unlit
1	Output from MIDI OUT.	No output.
2	Output from the USB port.	

- 4. Press the [NEXT] (ENTER) button.**

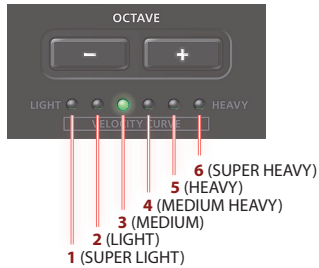
What the pads mean



Specifying the Velocity Curve (VELO CURVE)

1. Hold down the **[SHIFT]** button and use the **OCTAVE [-] [+]** buttons to make settings.

Range: 1–6



Parameter	Value	Explanation
VELO CURVE	1 (SUPER LIGHT)	SUPER LIGHT: An even lighter setting than LIGHT.
	2 (LIGHT)	LIGHT: Sets the keyboard to a light touch. You can achieve fortissimo (ff) play with a less forceful touch than MEDIUM, so the keyboard feels lighter. This setting makes it easy to play, even for children.
	3 (MEDIUM)	MEDIUM (default): Sets the keyboard to the standard touch. You can play with the most natural touch. This is the closest to the touch of an acoustic piano.
	4 (MEDIUM HEAVY)	MEDIUM HEAVY: Close to the typical key touch of a Roland digital piano.
	5 (HEAVY)	HEAVY: Sets the keyboard to a heavy touch. You have to finger the keyboard more forcefully than MEDIUM in order to play fortissimo (ff), so the keyboard touch feels heavier. Dynamic fingering adds even more feeling to what you play.
	6 (SUPER HEAVY)	SUPER HEAVY: An even heavier setting than HEAVY.

2. To return to the original setting, hold down the **[SHIFT]** button and press the **OCTAVE [-] [+]** buttons simultaneously.

Specifying the Zone and Key Range (Zone Settings)

The A-88MKII stores keyboard settings such as MIDI channel and octave shift in three zones: LOWER, UPPER 1, and UPPER 2.

Playing One Sound (Single)

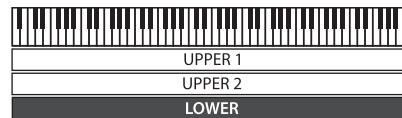
Here's how to play using just one zone.



1. Press the **[SPLIT]** button to make it go dark.
2. Press a zone button (**[UPPER 1]**, **[UPPER 2]**, or **[LOWER]**) whose sound you want to play, making the button light.

Playing Multiple Layered Sounds (Layer)

According to the order in which you press the zone buttons, you can combine multiple sounds using up to three layers (LOWER, UPPER 1, UPPER 2).



1. Press the **[SPLIT]** button to make it go dark.
2. Press the desired zone buttons (**[UPPER 1]**, **[UPPER 2]**, or **[LOWER]**) simultaneously to make them light.

Specifying a Key Range for Sounds (Split)

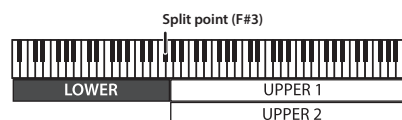
"Split" refers to settings in which the keyboard is divided into left and right regions, and the "split point" is the key at which this division is located.

1. Hold down the **[SPLIT]** button and press the **[UPPER 1]**, **[UPPER 2]**, and **[LOWER]** buttons simultaneously to make them light.

You can make split point settings to divide the keyboard into two or three regions.

2. To exit split, press the **[SPLIT]** button once again to make it go dark.

Divided in two (split + layer)



The right side of the keyboard plays the UPPER 1/2 zones (as a layer), and the left side plays the LOWER zone (single). The split point key is included in the LOWER zone.

Transmitting Controller Messages to a Specific Zone (Target Zone)

When playing a split, you can transmit controller messages to a specific zone.

1. Press the **[UPPER 1]**, **[UPPER 2]**, or **[LOWER]** button to which you want to transmit.

The button is lit brightly.

2. Perform.

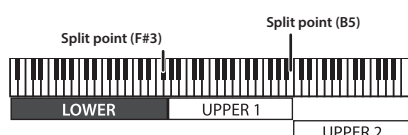
Controller messages from the pads and knobs etc. are transmitted to the zone that is brightly lit.

Changing the keyboard's split point

1. Hold down the **[SPLIT]** button and press the key where you want to divide the keyboard.

The split point key is included in the LOWER zone.

Divided in three (two split points)



The UPPER 1/2 zones that are divided into two regions can be further divided, so that three different regions of the keyboard can be played separately. UPPER 2 is the right region of the keyboard, UPPER 1 is the center, and LOWER is the left.

Changing the keyboard's split point (divided in three)

1. hold down the **[SPLIT]** button and the **[SHIFT]** button, and press the key where you want to further divide the keyboard.
The key of the second split point is included in the UPPER 1 zone.
2. To return to a two-way split, hold down the **[SPLIT]** button and the **[SHIFT]** button, and press the highest (or lowest) key of the keyboard.

Changing the Octave (Octave Shift)

Here's how to shift the pitch range of the keyboard in units of an octave.

1. Press the **OCTAVE [-] [+]** buttons.

Each time you press the button, the pitch changes by one octave. The current setting is shown by the OCTAVE/TRANPOSE indicators.

Range: -4–5 octave



2. To return to the original setting, press the **[+] button and [-] button simultaneously.**

The octave shift setting is reset to 0.

Changing the Pitch in Semitones (Transpose)

Here's how to shift the pitch range of the keyboard in units of a semitone.

1. Hold down the **[TRANPOSE]** button and press the **OCTAVE [-] [+]** buttons.

The button is lit, and transpose turns on.

Each time you press the button, the setting changes by a semitone. The current setting is shown by the OCTAVE/TRANPOSE indicators.

Range: -6–5



2. To turn transpose off, press the **[TRANPOSE]** button to make it go dark.
3. To return to the original setting, hold down the **[TRANPOSE]** button and press the **[+] button and [-] button simultaneously.**

The transpose setting is reset to 0.

Using the Knobs to Transmit Control Change Messages

Principal parameters of Roland's plug-in synthesizers are already assigned to the knobs.

You can use the **[SHIFT]** button + **[FUNC]** button to assign parameters of your choice to the knobs.

➔ "Assigning a Controller Number to a Knob" (p. 14)

Using the Pads to Transmit MIDI Messages

Using the Pads to Switch Sounds (Program Change)

1. Press the [PROG CHG] button.

Pads 1–8 are dimly lit.

2. Select a bank.

➔ “Selecting a bank” (p. 10)

3. Press a pad to transmit a program change.

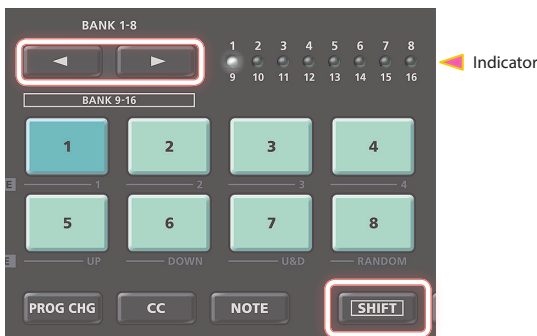
The pad is lit red.

➔ “Selecting a sound” (p. 10)

MEMO

You can also successively transmit program change messages by pressing the [NEXT] (ENTER) button.

Selecting a bank



Bank	Operation	Indicator color
1–8	Press the BANK [◀] [▶] button.	White
9–16	Hold down the [SHIFT] button and press the BANK [◀] [▶] button.	Red

Selecting a sound

Press the pad [1]–[8].

Pad/bank correspondence

Bank (Indicator color)	Pad							
	1	2	3	4	5	6	7	8
1 (white)	0	1	2	3	4	5	6	7
2 (white)	8	9	10	11	12	13	14	15
3 (white)	16	17	18	19	20	21	22	23
4 (white)	24	25	26	27	28	29	30	31
5 (white)	32	33	34	35	36	37	38	39
6 (white)	40	41	42	43	44	45	46	47
7 (white)	48	49	50	51	52	53	54	55
8 (white)	56	57	58	59	60	61	62	63
9 (red)	64	65	66	67	68	69	70	71
10 (red)	72	73	74	75	76	77	78	79
11 (red)	80	81	82	83	84	85	86	87
12 (red)	88	89	90	91	92	93	94	95
13 (red)	96	97	98	99	100	101	102	103
14 (red)	104	105	106	107	108	109	110	111
15 (red)	112	113	114	115	116	117	118	119
16 (red)	120	121	122	123	124	125	126	127

Using the Pads to Transmit Control Changes (Cc/Control Change)

1. Press the [CC] button.

Pads 1–8 are dimly lit.

2. Select a bank.

➔ “Selecting a bank” (p. 10)

3. Press a pad to transmit a control change message.

The pad is lit blue.

* You can use a FUNCTION setting (p. 14) to specify whether the pad operates as a momentary or a latched controller.

If “momentary,” the pad is lit while you hold it down.

If “latch,” the pad alternates between lit and unlit each time you press the pad.

Using the Pads to Play Notes (Note On)

1. Press the [NOTE] button.

Pads 1–8 are dimly lit.

2. Select a bank.

➔ “Selecting a bank” (p. 10)

3. Press a pad to transmit a note.

The pad is lit orange.

The PAD LED is lit while you hold down the pad.

Performing Arpeggios

An “arpeggio” is a performance technique in which the notes of a chord are played at different times.

The performance data of the UPPER 1 zone is sent to the arpeggio (p. 6).

1. Hold down the [SHIFT] button and press the [UPPER1] (ARPEGGIO) button to make it light.

The arpeggio turns on, and the pads are lit green.

2. Use pads [1]–[4] (ARP RANGE) to select the range of the arpeggio (the distance across which notes are played).

Pad	ARP RANGE	Explanation
1	1 octave	Selects the arpeggio's range in units of an octave.
2	2 octaves	
3	3 octaves	
4	4 octaves	

3. Use pads [5]–[8] (ARP MODE) to select the arpeggio pattern.

Pad	ARP MODE	Explanation
5	UP	The keys you press are sounded consecutively from the lowest.
6	DOWN	The keys you press are sounded consecutively from the highest.
7	U&D (UP & DOWN)	The keys you press are sounded consecutively from lowest to highest and then back to lowest repeatedly. The last note of UP is the first note of DOWN.
8	RND (RANDOM)	The keys you press are sounded randomly.

4. Press the [S2] (TAP TEMPO) button to change the tempo.

- * If your DAW starts, the arpeggio synchronizes to the tempo of the DAW.
- * While the [S1] (HOLD) button is held down, notes will be sustained for an extended time even if you release your fingers from the keyboard.

5. To turn arpeggio off, hold down the [SHIFT] button and press the [UPPER1] (ARPEGGIO) button once again.

Changing the Steps of the Arpeggio (ARPEGGIATOR STEP)

Here's how to change each step's note length (timing resolution).

1. Press the [FUNC] button.

2. Press the keys that have “ARPEGGIATOR STEP” printed above them.

Parameter	Key	Explanation
ARPEGGIATOR STEP	1/4	Quarter note
	1/4T	Quarter-note triplet
	1/8	Eighth note
	1/8T	Eighth-note triplet
	1/16	Sixteenth note
	1/16T	Sixteenth-note triplet

Changing the Note Duration (ARPEGGIATOR GATE)

Here's how to change the duration of the notes to make them legato or staccato.

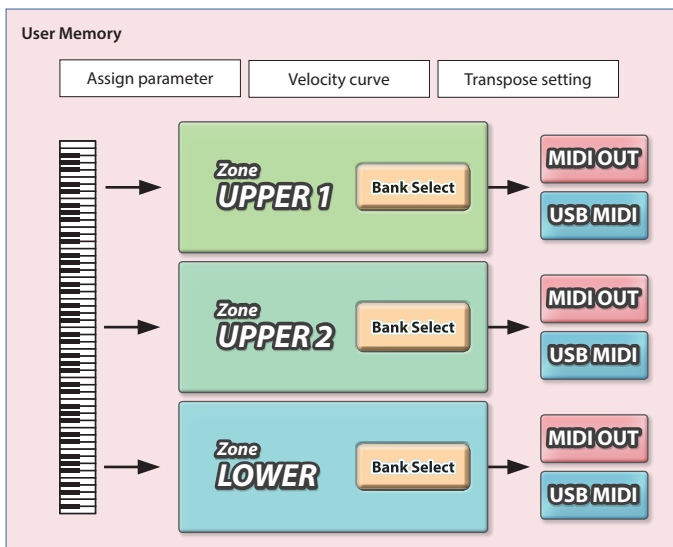
1. Press the [FUNC] button.

2. Press the keys that have “ARPEGGIATOR GATE” printed above them.

Parameter	Key	Explanation
ARPEGGIATOR GATE	50%	Notes sound for half the duration of the note value (staccato).
	100%	Notes sound for the full duration of the note value (legato).

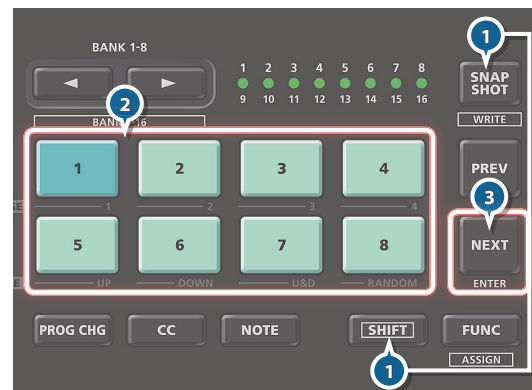
Saving the Settings (SNAP SHOT)

The A-88MKII lets you save settings such as zones and controllers in the user memory as “snapshots” (up to eight).



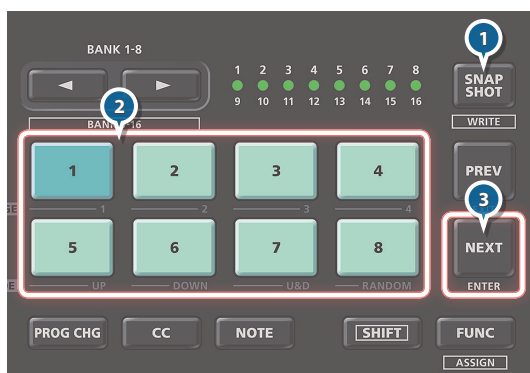
Saving a SNAP SHOT

Here's how to write the current settings to a snapshot.



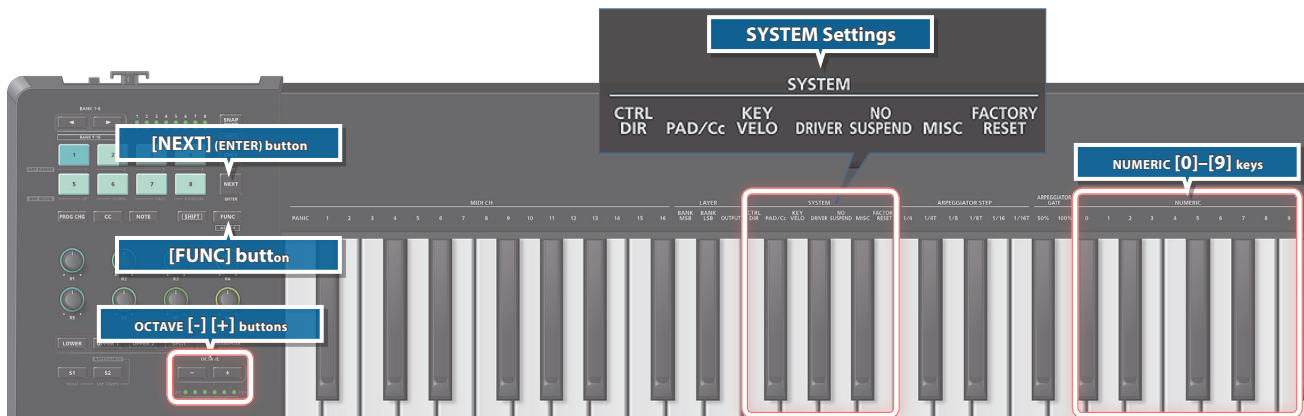
1. Hold down the [SHIFT] button and press the [SNAP SHOT] button.
2. Specify the pad into which you want to write the snapshot.
The pad and the [NEXT] (ENTER) button blink.
3. Press the [NEXT] (ENTER) button.
The settings are written.

Recalling a SNAP SHOT



1. Press the [SNAP SHOT] button to turn snapshot on.
Pads in which a snapshot is already written are lit pale white. These can recall user memories.
2. Use the pads to specify the number of the snapshot that you want to recall.
The pad and the [NEXT] (ENTER) button blink.
3. Press the [NEXT] (ENTER) button.
The settings are recalled.

System Settings (FUNCTION)



Specifying the Keyboard Velocity Values (KEY VELO)

1. Press the **[FUNC]** button.
2. Press the keys that have **"KEY VELO"** printed above them.
3. Press the keys that have **"NUMERIC (0-9)"** printed above them to input value.

Parameter	Value	Explanation
KEY VELO	0 (TOUCH)	TOUCH (default): Velocity values corresponding to your keyboard playing dynamics are transmitted.
	1-127 (FIXED VALUE)	FIXED VALUE: The fixed velocity value that you specify is transmitted regardless of your keyboard playing dynamics.

4. Press the **[NEXT] (ENTER)** button.

Preventing Suspend When USB-Connected (NO SUSPEND)

When the A-88MKII is connected to your computer via USB, it can enter a power-saving mode (suspend) while preserving the settings.

If you don't want the A-88MKII to enter suspend mode while you're working, choose "NO SUSPEND."

1. Press the **[FUNC]** button.
2. Press the keys that have **"NO SUSPEND"** printed above them.
3. Use the **OCTAVE [-] [+]** buttons to make the setting.

Parameter	Button	Explanation
NO SUSPEND	OCTAVE [+]	SUSPEND (default): Suspend will occur.
	OCTAVE [-]	NO SUSPEND: Suspend will not occur.

4. Press the **[NEXT] (ENTER)** button.

Selecting the USB Driver (DRIVER)

1. Press the **[FUNC]** button.
2. Press the keys that have **"DRIVER"** printed above them.
3. Use the **OCTAVE [-] [+]** buttons to make the setting.

Parameter	Button	Explanation
DRIVER	OCTAVE [+]	GENERIC (default): The default driver provided by the operating system is used. This is convenient if there is no dedicated driver, or if you can't install the dedicated driver.
	OCTAVE [-]	Dedicated driver: The dedicated driver is used.

- * If you're using A-88MKII Control on Windows, choose the dedicated driver.

4. Press the **[NEXT] (ENTER)** button.

- * After changing the setting, turn the power off, then back on again so that the setting is placed into effect.

Setting the Operation of the Pedal (CTRL DIR)

1. Press the **[FUNC]** button.
2. Press the keys that have **"CTRL DIR"** printed above them.
3. Use the **OCTAVE [-] [+]** buttons to make the setting.

Parameter	Button	Explanation
CTRL DIR	OCTAVE [+]	POSITIVE (default): Pressing the pedal increases the value.
	OCTAVE [-]	REVERSED: Pressing the pedal decreases the value.

4. Press the **[NEXT] (ENTER)** button.

Switching the Operation of the Pads (Latch/Momentary)

* This can be specified only when the [CC] button is lit.

When you press a pad to transmit a control change message, the setting you make here specifies whether the control change is on only while you hold down the pad (momentary) or alternates on/off each time you press the pad (latch).

1. Press the [FUNC] button.
2. Press the keys that have "PAD/Cc" printed above them.
3. Use the OCTAVE [-] [+] buttons to make the setting.

Parameter	Button	Explanation
PAD/Cc	OCTAVE [+]	Momentary: The control change is on only while you hold down the pad.
	OCTAVE [-]	Latch (default): The control change alternates on/off each time you press the pad.

4. Press the [NEXT] (ENTER) button.

Assigning a Controller Number to a Knob

1. Hold down the [SHIFT] button and press the [FUNC] button.
The assignable pads and knobs blink.
2. To select the controller that you want to assign, operate that knob.
3. Specify the controller number by pressing keys that have "NUMERIC (0-9)" printed above them.
Range: 0-127
4. Press the [NEXT] (ENTER) button.

Using Pedals to Modify the Sound

The A-88MKII can use the included damper pedal, a pedal unit (RPU-3: sold separately), an expression pedal (EV-5: sold separately), or a pedal switch (DP series: sold separately).

* In order to use an expression pedal, you must make settings in the dedicated app.

DAMPER Hold (CC#64)

Use this pedal to sustain notes. While you hold down this pedal, notes will sustain even if you take your fingers off the keyboard.

FC2 Sostenuto (CC#66)

Only the notes that were already played when this pedal was pressed are sustained.

FC1 Soft pedal (CC#67)

This pedal is used to make the sound softer.

* The assigned effect differs depending on the sound module.

MEMO

Adding expression to your performance (Expression Pedal)

While playing the keyboard, raise and lower the expression pedal. By varying the volume, you can make your performance more expressive.

* Example: Using an expression pedal connected to the FC2 jack to adjust the volume (expression: CC#11)

Assigning a Program Change Message to a Pad (PROG CHG)

1. Press the [PROG CHG] button.
2. Hold down the [SHIFT] button and press the [FUNC] button.
The assignable pads blink.
3. Press the pad that you want to assign.
4. Specify the program number by pressing keys that have "NUMERIC (0-9)" printed above them.
Range: 0-127
5. Press the [NEXT] (ENTER) button.

Assigning a Control Change Message to a Pad (CC)

1. Press the [CC] button.
2. Hold down the [SHIFT] button and press the [FUNC] button.
The assignable pads blink.
3. Press the pad that you want to assign.
4. Specify the controller number by pressing keys that have "NUMERIC (0-9)" printed above them.
Range: 0-127
5. Press the [NEXT] (ENTER) button.

Assigning Note Messages to Pads (NOTE)

1. Press the [NOTE] button.
2. Hold down the [SHIFT] button and press the [FUNC] button.
The assignable pads blink.
3. Press the pad that you want to assign.
4. Press one or more keys to specify the notes.
You can specify up to four notes.
5. Press the [NEXT] (ENTER) button.

Halting Stuck Notes (PANIC)

If you experience "stuck notes" on the connected MIDI sound module, or if there's something else wrong with the sound, you can transmit reset messages to fix the problem.

1. Press the [FUNC] button.
2. Press the keys that have "PANIC" printed above them.
The reset messages (All Sounds Off, All Notes Off, and Reset All Controller) are transmitted on all channels.

USING THE UNIT SAFELY

INSTRUCTIONS FOR THE PREVENTION OF FIRE, ELECTRIC SHOCK, OR INJURY TO PERSONS

About ⚠ WARNING and ⚠ CAUTION Notices

⚠ WARNING	Used for instructions intended to alert the user to the risk of death or severe injury should the unit be used improperly.
⚠ CAUTION	Used for instructions intended to alert the user to the risk of injury or material damage should the unit be used improperly. * Material damage refers to damage or other adverse effects caused with respect to the home and all its furnishings, as well to domestic animals or pets.

About the Symbols

	The ⚠ symbol alerts the user to important instructions or warnings. The specific meaning of the symbol is determined by the design contained within the triangle. In the case of the symbol at left, it is used for general cautions, warnings, or alerts to danger.
	The symbol alerts the user to items that must never be carried out (are forbidden). The specific thing that must not be done is indicated by the design contained within the circle. In the case of the symbol at left, it means that the unit must never be disassembled.
	The symbol alerts the user to things that must be carried out. The specific thing that must be done is indicated by the design contained within the circle. In the case of the symbol at left, it means that the power-cord plug must be unplugged from the outlet.

ALWAYS OBSERVE THE FOLLOWING

⚠ WARNING

To completely turn off power to the unit, pull out the plug from the outlet

Even with the power switch turned off, this unit is not completely separated from its main source of power. When the power needs to be completely turned off, turn off the power switch on the unit, then pull out the plug from the outlet. For this reason, the outlet into which you choose to connect the power cord's plug should be one that is within easy reach and readily accessible.



Concerning the Auto Off function

The power to this unit will be turned off automatically after a predetermined amount of time has passed since it was last used for playing music, or its buttons or controls were operated (Auto Off function). If you do not want the power to be turned off automatically, disengage the Auto Off function (p. 2).



Do not disassemble or modify by yourself

Do not carry out anything unless you are instructed to do so in the owner's manual. Otherwise, you risk causing malfunction.



Do not repair or replace parts by yourself

Be sure to contact your dealer, a Roland service center, or an official Roland dealer. For a list of Roland service centers and official Roland dealers, refer to the Roland website.



Do not use or store in the following types of locations

- Subject to temperature extremes (e.g., direct sunlight in an enclosed vehicle, near a heating duct, on top of heat-generating equipment); or are
- Damp (e.g., baths, washrooms, on wet floors); or are
- Exposed to steam or smoke; or are
- Subject to salt exposure; or are
- Exposed to rain; or are
- Dusty or sandy; or are
- Subject to high levels of vibration and shakiness; or are
- Placed in a poorly ventilated location.

Use only the stand that is recommended

This unit should be used only with a stand that is recommended by Roland.



Do not place in a location that is unstable

When using the unit with a stand recommended by Roland, the stand must be carefully placed so it is level and sure to remain stable. If not using a stand, you still need to make sure that any location you choose for placing the unit provides a level surface that will properly support the unit, and keep it from wobbling.



⚠ WARNING

Precautions regarding placement of this unit on a stand

Be sure to follow the instructions in the Owner's Manual carefully when placing this unit on a stand (p. 2).



If it is not set up properly, you risk creating an unstable situation which could lead to the unit falling or the stand toppling, and may result in injury.

Use only the specified AC adaptor and the correct voltage

Use only the specified AC adaptor, and make sure the line voltage at the installation matches the input voltage specified on the AC adaptor's body.



Use only the supplied power cord

Use only the attached power cord. Also, the supplied power cord must not be used with any other device.



Do not bend the power cord or place heavy objects on it

Otherwise, fire or electric shock may result.



Do not allow foreign objects or liquids to enter unit; never place containers with liquid on unit

Do not place containers containing liquid (e.g., flower vases) on this product. Never allow foreign objects (e.g., flammable objects, coins, wires) or liquids (e.g., water or juice) to enter this product. Doing so may cause short circuits, faulty operation, or other malfunctions.



Turn off the unit if an abnormality or malfunction occurs

In the following cases, immediately turn off the power, remove the AC adaptor from the outlet, and contact your dealer, a Roland service center, or an official Roland dealer for service.



- The AC adaptor or the power cord has been damaged; or
- If smoke or unusual odor occurs; or
- Objects have fallen into, or liquid has been spilled onto the unit; or
- The unit has been exposed to rain (or otherwise has become wet); or
- The unit does not appear to operate normally or exhibits a marked change in performance.

For a list of Roland service centers and official Roland dealers, refer to the Roland website.

⚠ WARNING

Be cautious to protect children from injury

Always make sure that an adult is on hand to provide supervision and guidance when using the unit in places where children are present, or when a child will be using the unit.



Do not drop or subject to strong impact

Otherwise, you risk causing damage or malfunction.



Do not share an outlet with an unreasonable number of other devices

Otherwise, you risk overheating or fire.



Do not use overseas

Before using the unit in overseas, consult with your retailer, the nearest Roland service center, or an authorized Roland distributor.



For a list of Roland service centers and official Roland dealers, refer to the Roland website.

⚠ CAUTION

Use only the specified stand(s)

This unit is designed to be used in combination with specific stands (KS-10Z, KS-12) manufactured by Roland. If used in combination with other stands, you risk sustaining injuries as the result of this product dropping down or toppling over due to a lack of stability.



Evaluate safety issues before using stands

Even if you observe the cautions given in the owner's manual, certain types of handling may allow this product to fall from the stand, or cause the stand to overturn. Please be mindful of any safety issues before using this product.



When disconnecting the power cord, grasp it by the plug

To prevent conductor damage, always grasp the power cord by its plug when disconnecting it.



Periodically clean the power plug

An accumulation of dust or foreign objects between the power plug and the power outlet can lead to fire or electric shock. At regular intervals, be sure to pull out the power plug, and using a dry cloth, wipe away any dust or foreign objects that may have accumulated.



Disconnect the power plug whenever the unit will not be used for an extended period of time

Fire may result in the unlikely event that a breakdown occurs.



Route all power cords and cables in such a way as to prevent them from getting entangled

Injury could result if someone were to trip on a cable and cause the unit to fall or topple.



CAUTION

Avoid climbing on top of the unit, or placing heavy objects on it

Otherwise, you risk injury as the result of the unit toppling over or dropping down.



Never connect/disconnect a power plug if your hands are wet

Otherwise, you could receive an electric shock.



Disconnect all cords/cables before moving the unit

Before moving the unit, disconnect the power plug from the outlet, and pull out all cords from external devices.



CAUTION

Before cleaning the unit, disconnect the power plug from the outlet

If the power plug is not removed from the outlet, you risk receiving an electric shock.



Whenever there is a threat of lightning, disconnect the power plug from the outlet

If the power plug is not removed from the outlet, you risk causing malfunction or receiving an electric shock.



IMPORTANT NOTES

Power Supply

- Do not connect this unit to same electrical outlet that is being used by an electrical appliance that is controlled by an inverter or a motor (such as a refrigerator, washing machine, microwave oven, or air conditioner). Depending on the way in which the electrical appliance is used, power supply noise may cause this unit to malfunction or may produce audible noise. If it is not practical to use a separate electrical outlet, connect a power supply noise filter between this unit and the electrical outlet.
- The AC adaptor will begin to generate heat after long hours of consecutive use. This is normal, and is not a cause for concern.
- Place the AC adaptor so the side with the indicator faces upwards. The indicator will light when you plug the AC adaptor into an AC outlet.

Placement

- This unit may interfere with radio and television reception. Do not use this unit in the vicinity of such receivers.
- When moved from one location to another where the temperature and/or humidity is very different, water droplets (condensation) may form inside the unit. Damage or malfunction may result if you attempt to use the unit in this condition. Therefore, before using the unit, you must allow it to stand for several hours, until the condensation has completely evaporated.
- Do not allow objects to remain on top of the keyboard. This can be the cause of malfunction, such as keys ceasing to produce sound.
- Depending on the material and temperature of the surface on which you place the unit, its rubber feet may discolor or mar the surface.
- Do not place containers or anything else containing liquid on top of this unit. Also, whenever any liquid has been spilled on the surface of this unit, be sure to promptly wipe it away using a soft, dry cloth.

Maintenance

- Never use benzine, thinners, alcohol or solvents of any kind, to avoid the possibility of discoloration and/or deformation.

Care of the Keyboard

- Do not write on the keyboard with any pen or other implement, and do not stamp or place any marking on the instrument. Ink will seep into the surface lines and become unremovable.
- Do not affix stickers on the keyboard. You may be unable to remove stickers that use strong adhesives, and the adhesive may cause discoloration.
- To remove stubborn dirt, use a commercially available keyboard cleaner that does not contain abrasives. Start by wiping lightly. If the dirt does not come off, wipe using gradually increasing amounts of pressure while taking care not to scratch the keys.

Repairs and Data

- Before sending the unit away for repairs, be sure to make a backup of the data stored within it; or you may prefer to write down the needed information. Although we will do our utmost to preserve the data stored in your unit when we carry out repairs, in some cases, such as when the memory section is physically damaged, restoration of the stored content may be impossible. Roland assumes no liability concerning the restoration of any stored content that has been lost.

Additional Precautions

- Any data stored within the unit can be lost as the result of equipment failure, incorrect operation, etc. To protect yourself against the irretrievable loss of data, try to make a habit of creating regular backups of the data you've stored in the unit.
- Roland assumes no liability concerning the restoration of any stored content that has been lost.
- Use a reasonable amount of care when using the unit's buttons, sliders, or other controls; and when using its jacks and connectors. Rough handling can lead to malfunctions.
- When disconnecting all cables, grasp the connector itself—never pull on the cable. This way you will avoid causing shorts, or damage to the cable's internal elements.
- The sound of keys being struck and vibrations produced by playing an instrument can be transmitted through a floor or wall to an unexpected extent. Please take care not to cause annoyance to others nearby.
- Use only the specified expression pedal. By connecting any other expression pedals, you risk causing malfunction and/or damage to the unit.
- Continuous playing may cause dis-coloration of the pad, but this will not affect the pad's function.

Intellectual Property Right

- Roland is an either registered trademarks or trademarks of Roland Corporation in the United States and/or other countries.
- Company names and product names appearing in this document are registered trademarks or trademarks of their respective owners.