

Capacity with different cable diameters

**AV310N**



**AV405N**



**AV415N**

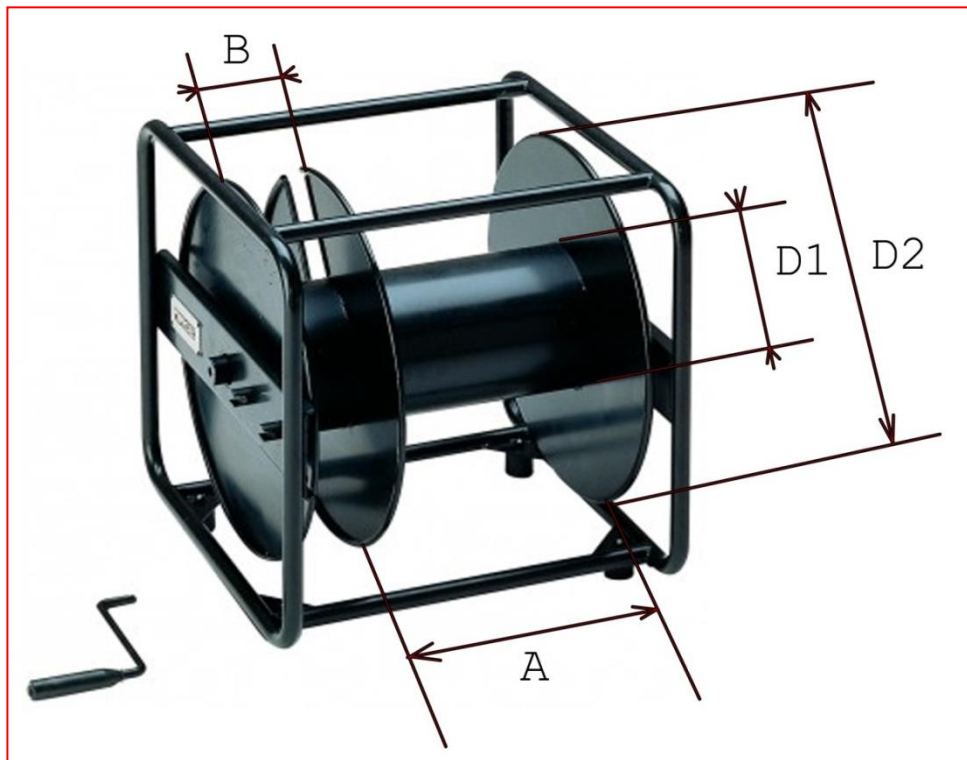


**AV425N**



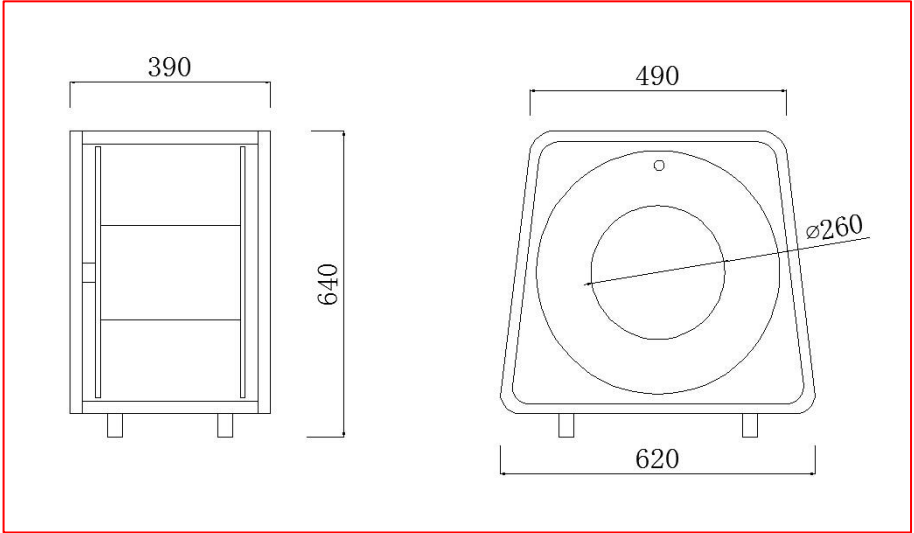
| Model  | Cable diameter / Meters |         |         |         |         |         |         |         |         |         |         |         |
|--------|-------------------------|---------|---------|---------|---------|---------|---------|---------|---------|---------|---------|---------|
|        | Ø 8 mm                  | Ø 10 mm | Ø 12 mm | Ø 15 mm | Ø 18 mm | Ø 20 mm | Ø 22 mm | Ø 24 mm | Ø 26 mm | Ø 28 mm | Ø 30 mm | Ø 32 mm |
| AV310N | 227 m                   | 145 m   | 101 m   | 64 m    | 45 m    | 36 m    | 30 m    | 25 m    | /       | /       | /       | /       |
| AV405N | /                       | 240 m   | 170 m   | 110 m   | 75 m    | 60 m    | 50 m    | 45 m    | 35 m    | 30 m    | 28 m    | 24 m    |
| AV415N | /                       | /       | 230 m   | 150 m   | 100 m   | 80 m    | 70 m    | 60 m    | 50 m    | 40 m    | 36 m    | 32 m    |
| AV425N | /                       | /       | /       | 210 m   | 150 m   | 120 m   | 100 m   | 80 m    | 70 m    | 60 m    | 52 m    | 45 m    |

**AV405N – AV415N – AV425N**

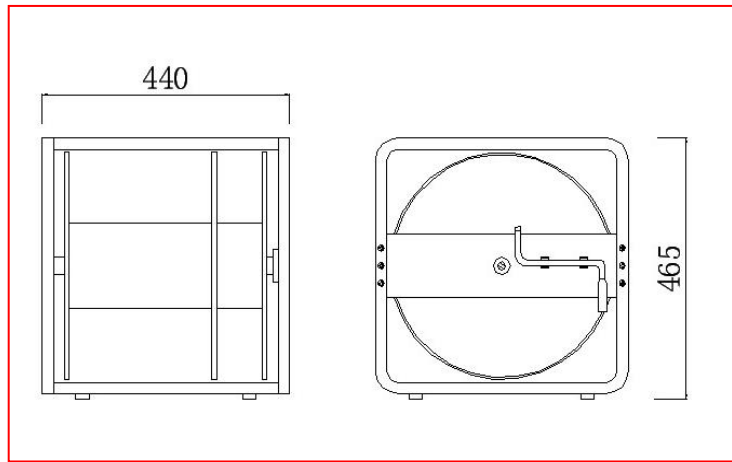


| Model  | A - mm | B - mm | D1 - mm | D2 - mm |
|--------|--------|--------|---------|---------|
| AV405N | 250    | 90     | 150     | 395     |
| AV415N | 350    | 90     | 150     | 395     |
| AV425N | 490    | 90     | 150     | 395     |

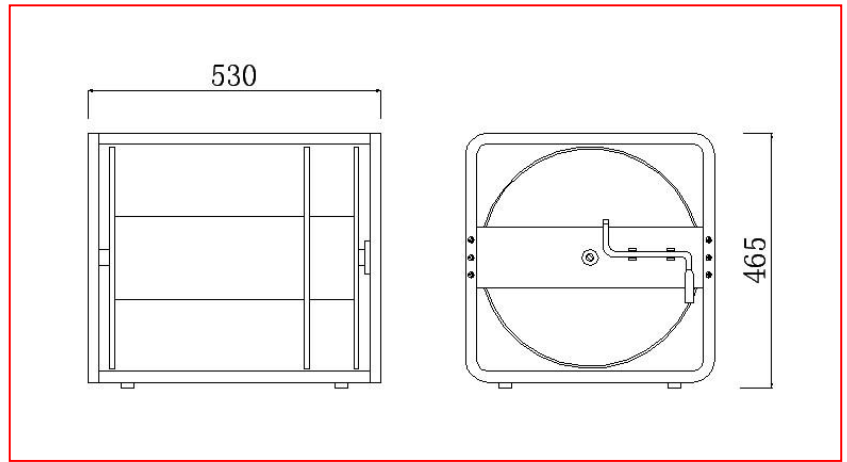
**AV310N**



**AV405N**



**AV415N**



**AV425N**

