

# MR 50T

## TWO-WAY SPEAKER

### DESCRIPTION

MR 50T is a bass-reflex two-way speaker designed to deliver uncompromised audio performance and high reliability in fixed installations. Blend in with any environment and deliver deep bass, smooth midrange, and finely-detailed high-frequency response. Quality components and careful acoustic design make MR 50T the perfect speaker for listening in the most demanding applications. Suitable for indoor and outdoor installation.



### FEATURES

- 60 W (8 ohm) / 40 W - 20 W - 10 W - 5 W (70/100V) power handling
- 110 dB max SPL
- 60 ÷ 20000 Hz frequency range
- 110° x 100° coverage angles
- 1 x 5" woofer (1" v.c.)
- 1 x 1" dome tweeter (0.8" v.c.) neodymium magnet
- Colour black RAL 9005 and white RAL 9003
- IP 55 protection grade
- Swivel wall mount accessory included
- 4 pole EUROBLOCK connector

## TECHNICAL SPECIFICATIONS

<b>Acoustical specifications</b>	Frequency Response (-10dB):	60 Hz ÷ 20000 Hz
	Max SPL @ 1m:	110 dB
	Horizontal coverage angle:	110°
	Vertical coverage angle:	100°
	Directivity index Q:	7
	System Sensitivity:	87 dB
<b>Power section</b>	Nominal Impedance:	8 ohm
	Power Handling:	60 W
	Peak Power Handling:	240 W PEAK
	Recommended Amplifier:	120 W
	Protections:	Bulb lamp
	Crossover Frequencies:	3000 Hz
<b>Transducers</b>	Dome Tweeter:	1.0" neo, 0.8" v.c
	Woofers:	5.0", 1.0" v.c
<b>Input/Output section</b>	Input connectors:	Euroblock
	Output connectors:	Euroblock
	Constant Voltage Transformer:	70/100 V
	Power selection 1:	40 W - 250 ohm
	Power selection 2:	20 W - 500 ohm
	Power selection 3:	10 W - 1000 ohm
	Power selection 4:	5 W - 2000 ohm
<b>Standard compliance</b>	IP protection grade:	IP 55
	Safety agency:	CE compliant
<b>Physical specifications</b>	Cabinet/Case Material:	Plastic
	Hardware:	Wall mount bracket
	Grille:	Steel
	Color:	Black - RAL 9005, White - RAL 9003
<b>Size</b>	Height:	270 mm / 10.63 inches
	Width:	187 mm / 7.36 inches
	Depth:	167 mm / 6.57 inches
	Weight:	4 kg / 8.82 lbs
<b>Shipping information</b>	Package Height:	370 mm / 14.57 inches
	Package Width:	510 mm / 20.08 inches
	Package Depth:	250 mm / 9.84 inches
	Package Weight:	8.9 kg / 19.62 lbs



**PART NUMBER**

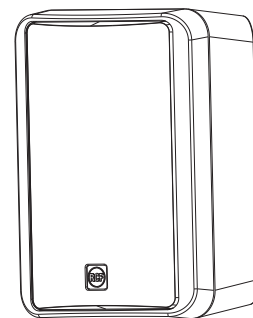
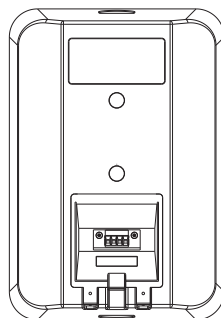
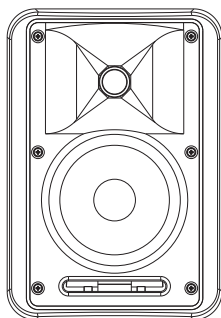
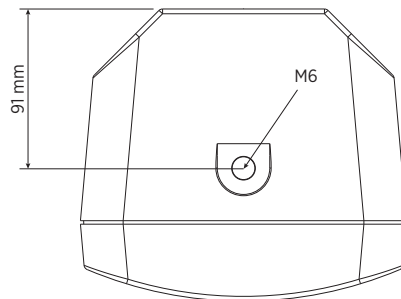
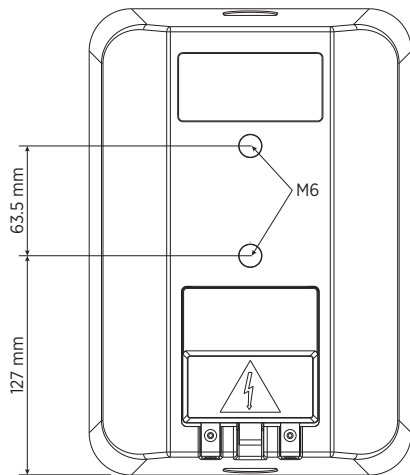
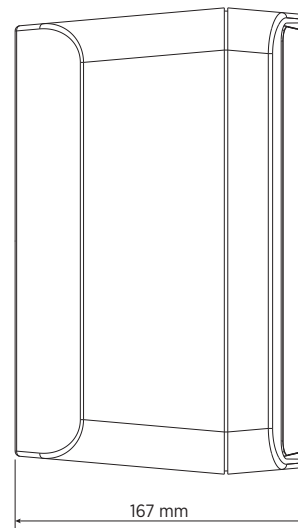
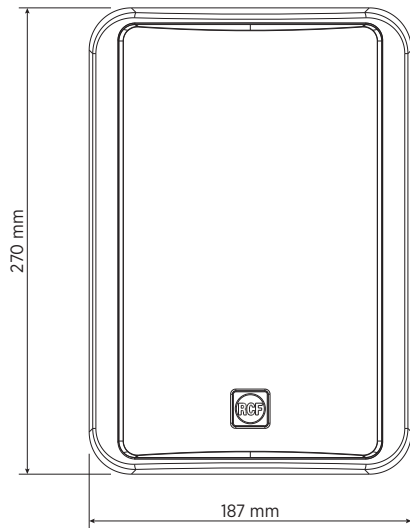
• **13100041**

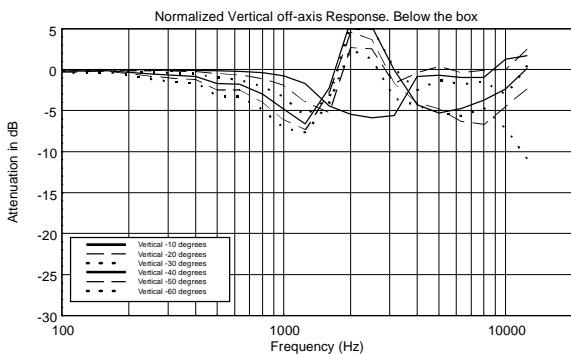
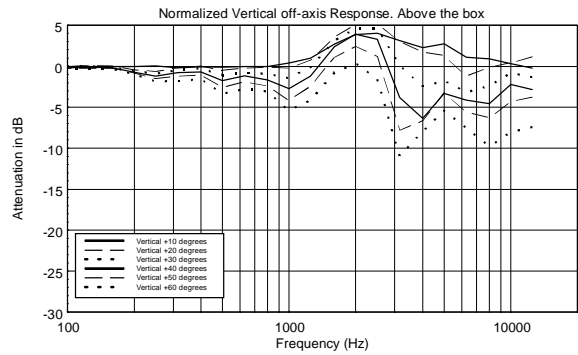
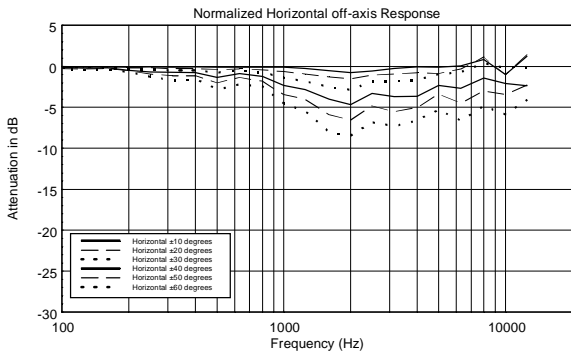
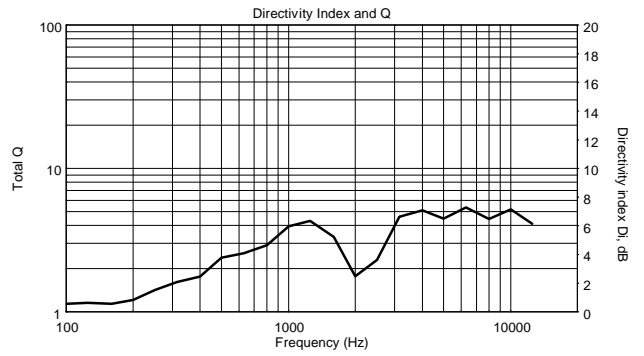
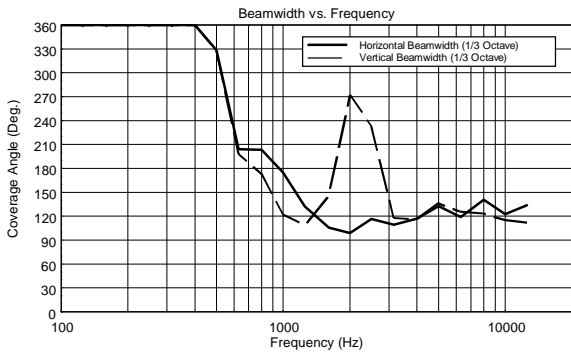
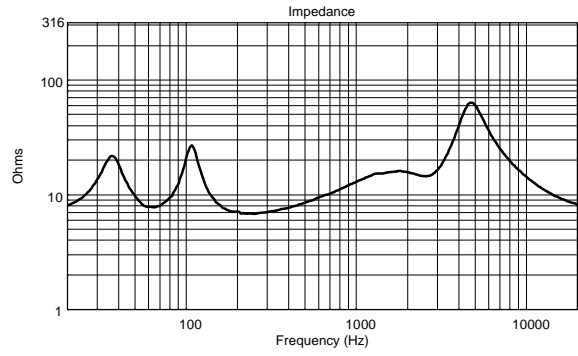
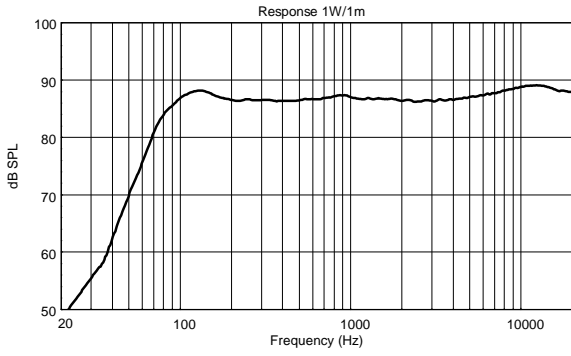
MR 50T W  
White - RAL 9003  
EAN 8024530017309

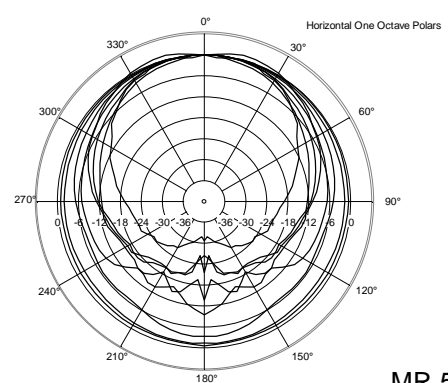
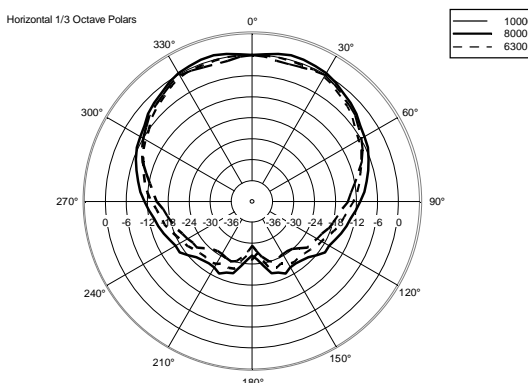
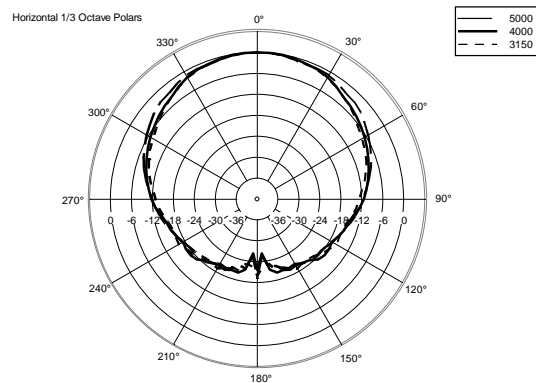
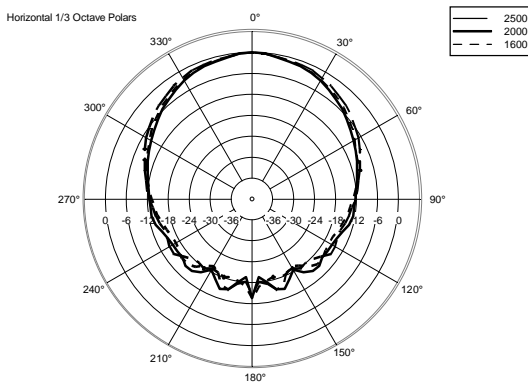
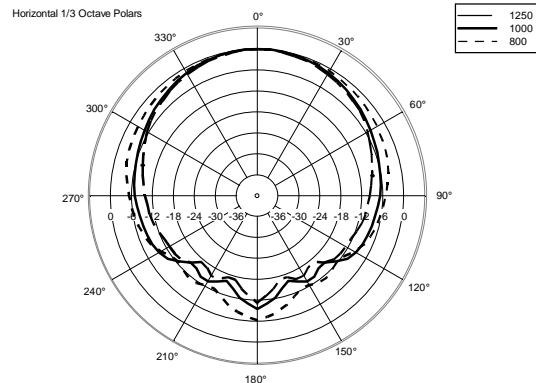
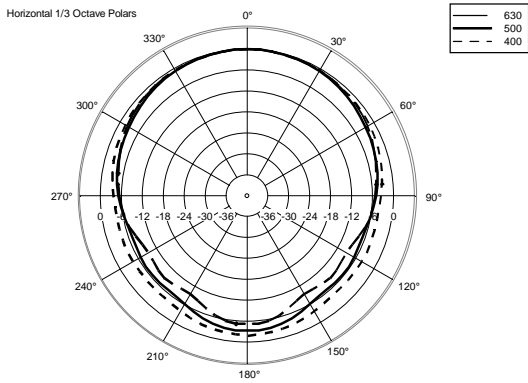
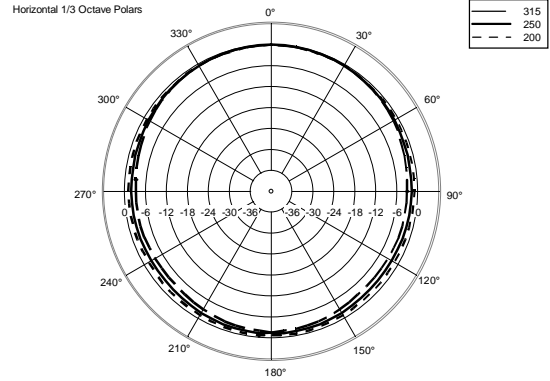
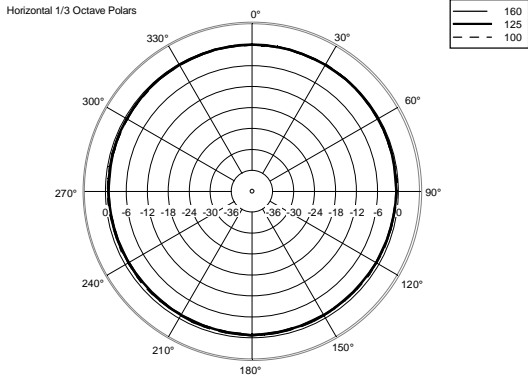
• **13100039**

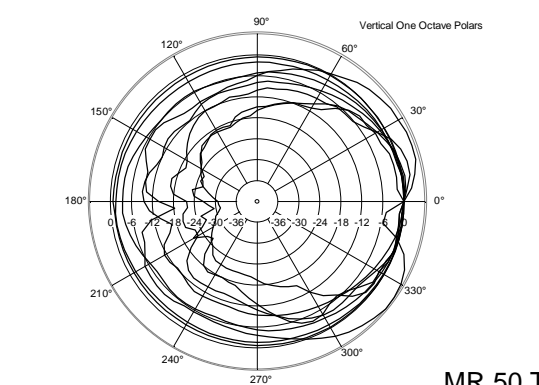
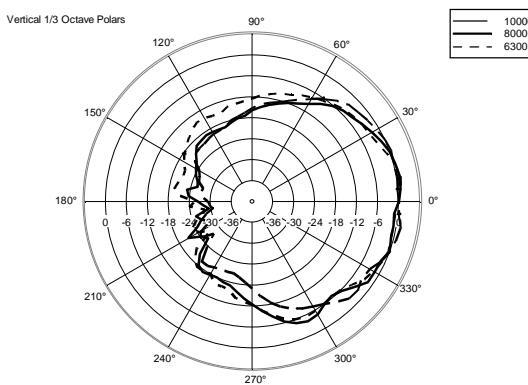
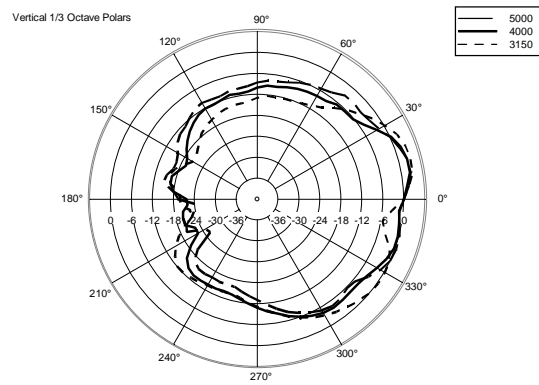
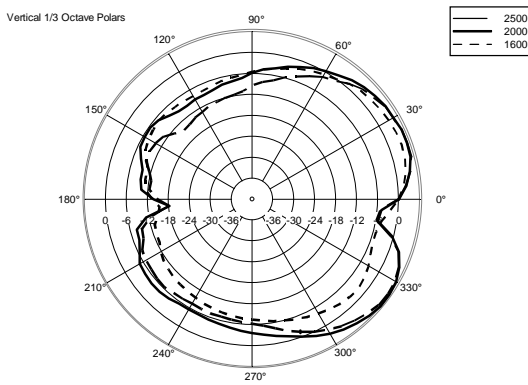
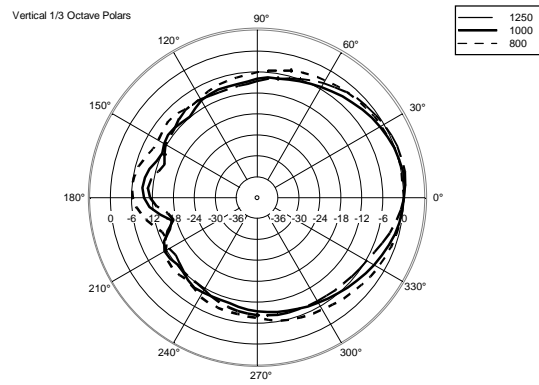
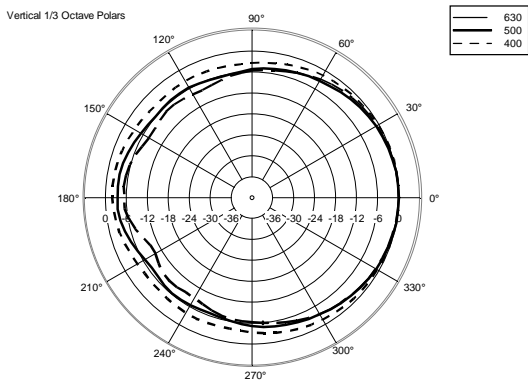
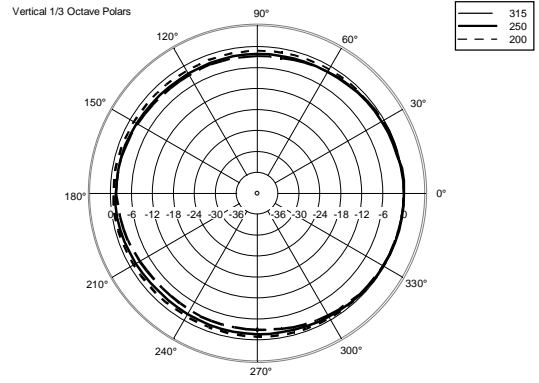
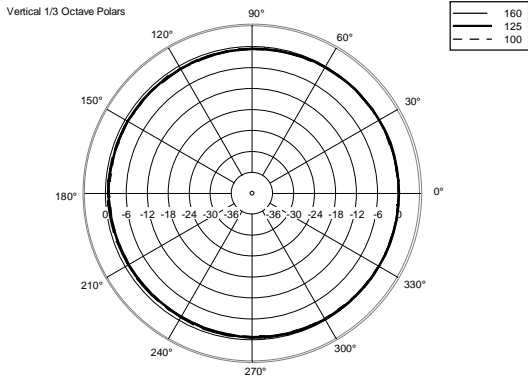
MR 50T  
Black - RAL 9005  
EAN 8024530017286

**DRAWINGS**









**ACCESSORIES**



MOUNTAING ACCESSORY MA 5

PART NUMBER **13360369**  
EAN: 8024530014322

---



MOUNTAING ACCESSORY MA 5 W

PART NUMBER **13360370**  
EAN: 8024530014339

---





## **A&E SPECIFICATIONS**

The product shall be a multipurpose two-way bass-reflex speaker, suitable for a wide range of applications, providing a balanced sound in near-field applications to get the best intelligibility.

Its design shall be elegant and compact with accurate finishing, suitable for almost any environment, even with architectural constraints.

It shall be equipped with a 5" woofer and a 1" dome tweeter and shall include an internal transformer (with a power selector on the rear side) that allows the connection to 70 / 100 V constant voltage lines.

Optional mounting accessories shall be available for wall or ceiling installations.

The product shall be suitable for indoor and outdoor installation.

---