

Install

CVS 301

3" In-Ceiling Loudspeaker for Installation Applications

- Full range ceiling loudspeaker for installation applications
- 20 Watts continuous, 80 Watts peak power
- 3" polypropylene full-range driver with butyl rubber surround for enhanced durability and long-term reliability
- Wide constant directivity dispersion for optimum coverage
- EN 54-24:2008 certified Type A
- UL 1480 certified for fire-protected signalling systems
- UL 2043 certified for air-handling spaces
- UV and weather resistant UL 94-V0 and 94-5VB ABS front with plated steel fire can enclosure
- Powder coated aluminium mesh grille with dust protection
- Multiple transformer taps for 70 V and 100 V line systems or 8 Ohm direct input
- Low insertion loss 15 W line transformer with easily accessible tapping switch
- Semi matt white finish fits unobtrusively in any environment
- Mounting C-ring and ceiling tile rails included
- Steel cover and strain relief clamping mechanism for fire rated cable
- 10-Year Warranty Program*
- Designed and engineered in the U.K.

The CVS 301 is a ceiling loudspeaker engineered to provide superb audio performance in both background and foreground music sound systems. Ideally suited for a wide variety of applications, from restaurants and hotels to houses of worship and businesses of all types, the CVS 301 offers the power handling, wide frequency response and low distortion typically found in more expensive products. EN 54-24 certification for fire detection and fire alarm systems makes the CVS 301 the perfect choice where safety is a top priority. The loudspeaker is also UL 1480 certified for fire-protected signalling systems and UL 2043 certified for air-handling spaces.



Exceptional Sound and Reliability

The design comprises a 75 mm (3.00") polypropylene full-range driver mounted in a UV and weather resistant UL 94-V0 and 94-5VB ABS front with a plated steel fire can enclosure. Dust protection is provided in the form of an attractive powder coated aluminium mesh grille. The mineral loaded polypropylene cone material and butyl rubber surround enhance durability and long-term reliability. CVS 301 is specifically designed for applications requiring the combination of excellent music and speech sound quality and exceptional reliability.

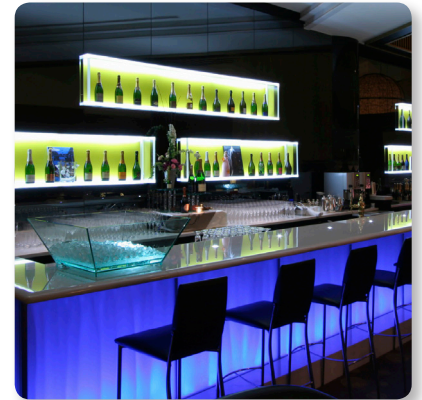
Install

CVS 301

3" In-Ceiling Loudspeaker for
Installation Applications

Comprehensive Installation Package

Supplied with an integral zinc-plated steel back can with recessed termination box, the CVS 301 satisfies the vast majority of installation application requirements and features a semi matt white finish that fits unobtrusively into any environment. The removable locking connector has screw terminals for secure wire termination and "loop through" facility. A steel cover and strain relief clamping mechanism are provided for use with fire rated cabling. Security toggle clamps make for quick and easy installation, while two tile support rails and one C-ring are also included in the package. A plaster (mud) ring is available as an optional accessory. Rounding out these impressive features is custom-designed low insertion loss 15 W line transformer with easily accessible tapping switch, which ensures pristine performance and optimal versatility.



You Are Covered

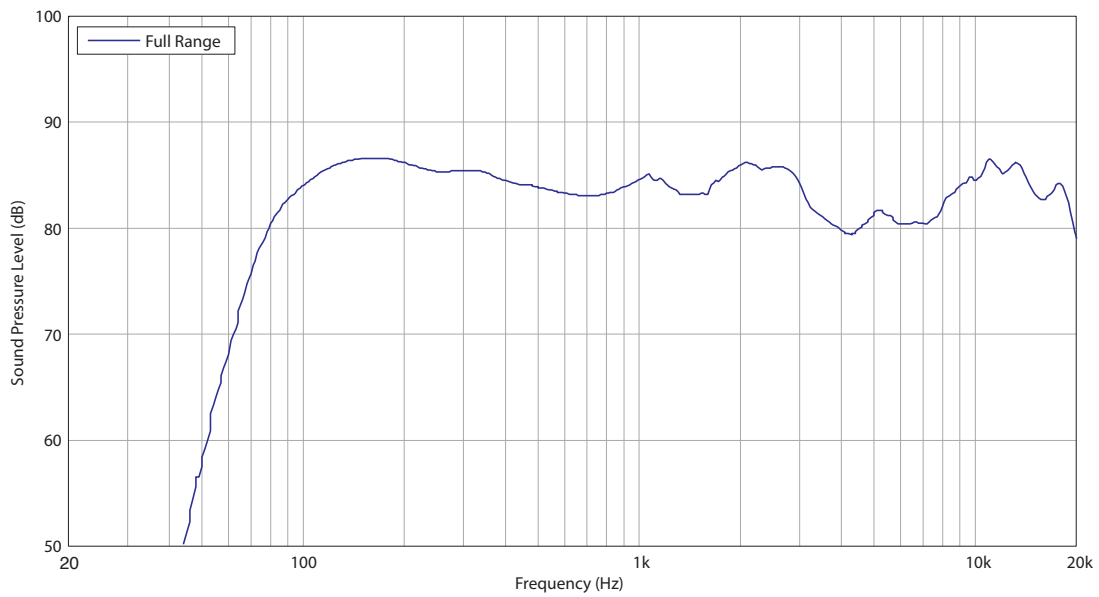
We always strive to provide the best possible Customer Experience. Our products are made in our own Music Tribe factory using state-of-the-art automation, enhanced production workflows and quality assurance labs with the most sophisticated test equipment available in the world. As a result, we have one of the lowest product failure rates in the industry, and we confidently back it up with a generous Warranty program.

Install

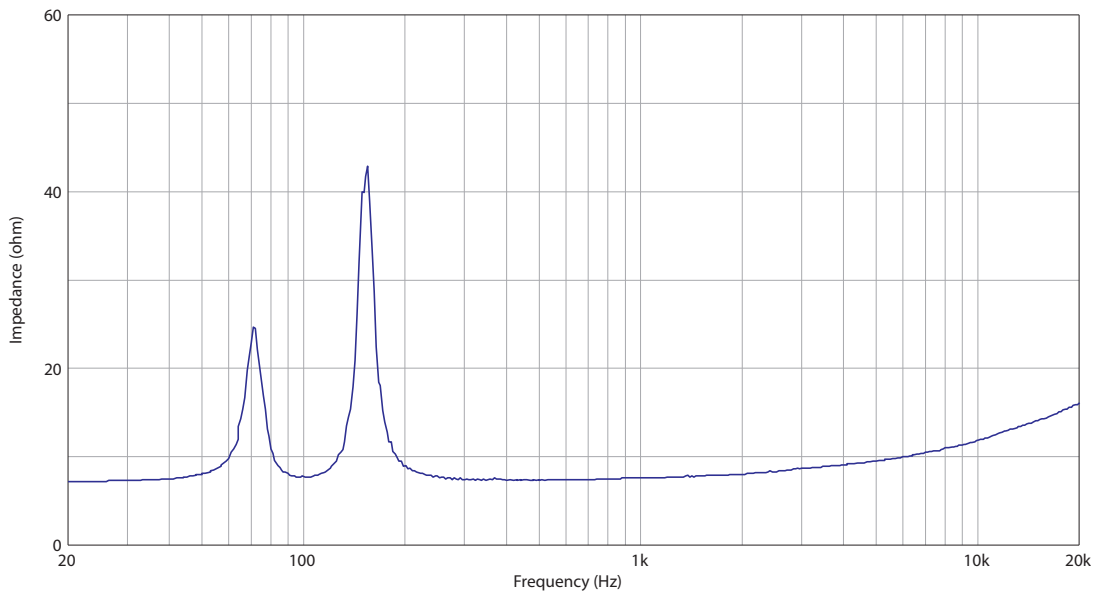
CVS 301

3" In-Ceiling Loudspeaker for
Installation Applications

Frequency Response Sensitivity 1 W / 1 m



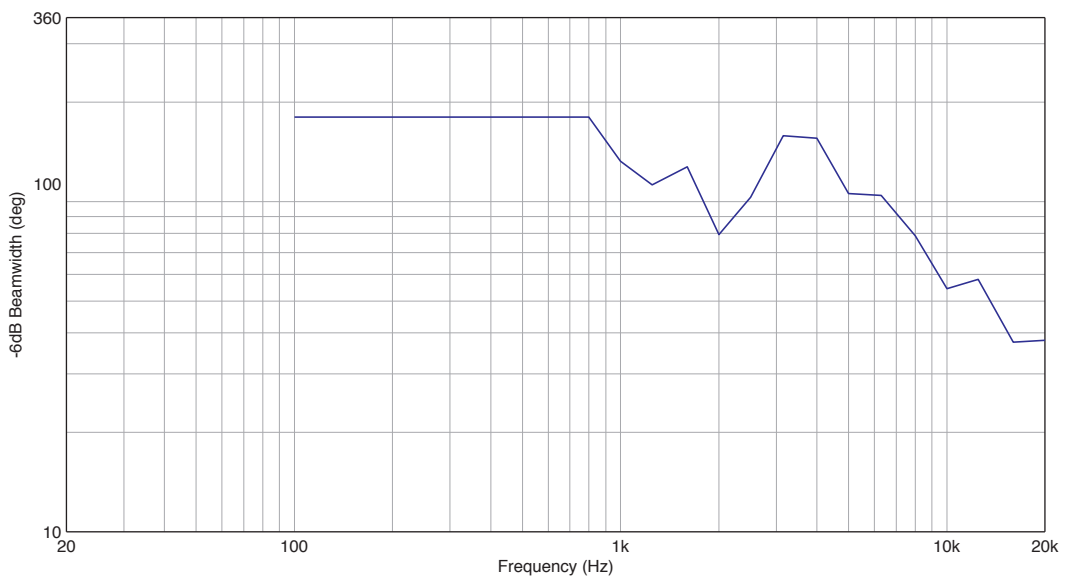
Impedance



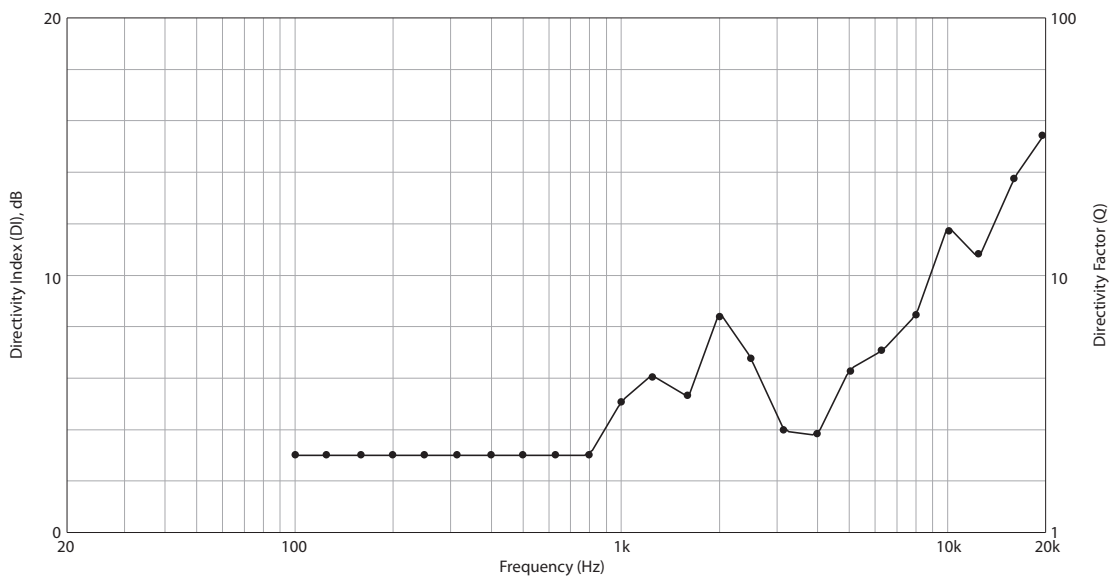
CVS 301

3" In-Ceiling Loudspeaker for Installation Applications

Beamwidth



Directivity Index and Factor

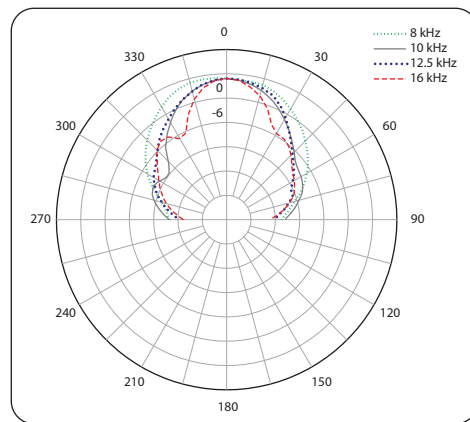
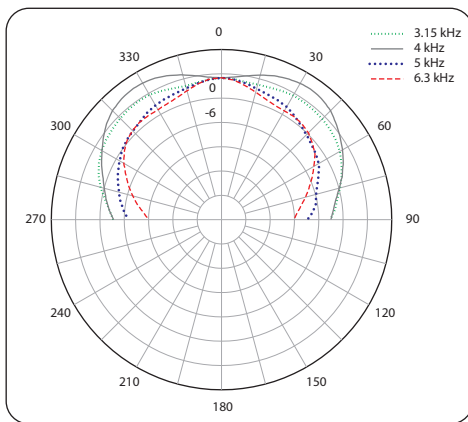
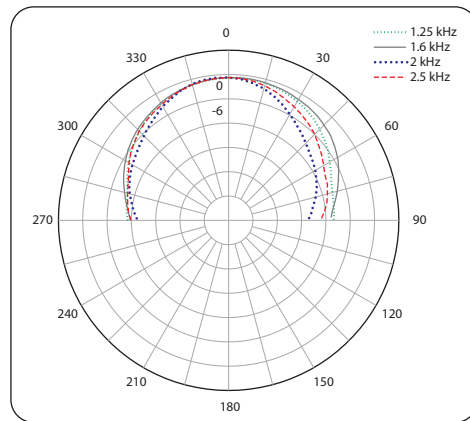
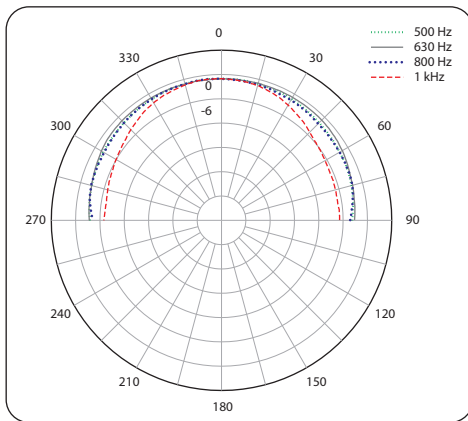
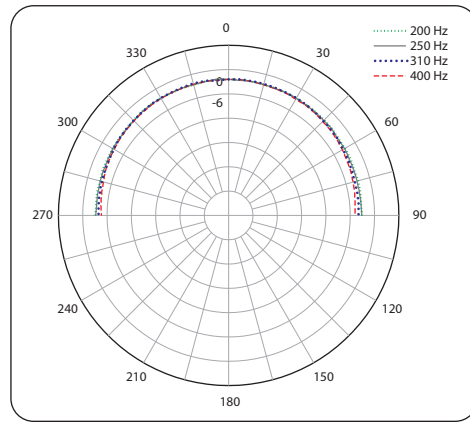
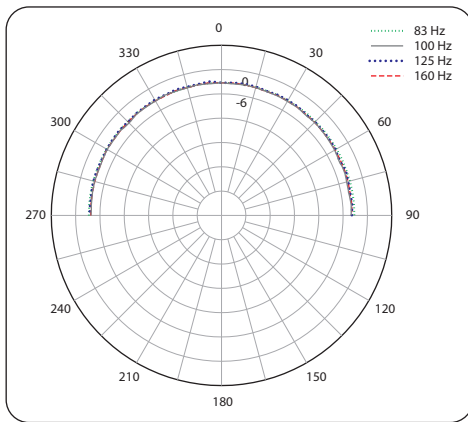


Install

CVS 301

3" In-Ceiling Loudspeaker for Installation Applications

Polar Plots

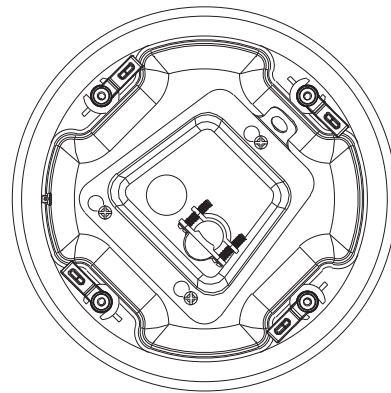
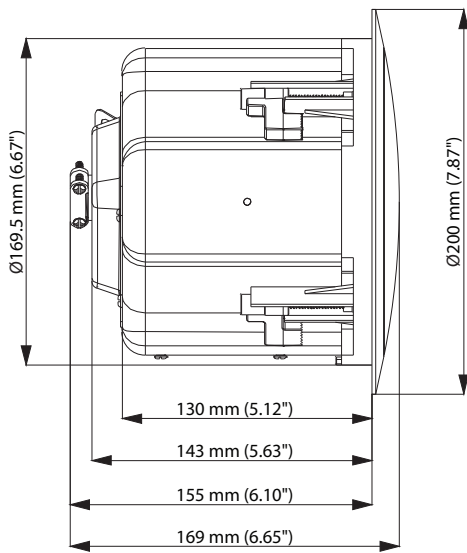


Install

CVS 301

3" In-Ceiling Loudspeaker for
Installation Applications

Dimensions



Install

CVS 301

3" In-Ceiling Loudspeaker for
Installation Applications

Technical Specifications

Performance

Frequency response (+3dB, -3 dB)	85 Hz-19 kHz
Frequency response (-10 dB)	68 Hz-20 kHz
Sensitivity at 1m/1W	85 dB
Nominal coverage angle	130°
Directivity factor (Q) averaged 1 kHz to 6 kHz	4.1
Directivity index (DI) averaged 1 kHz to 6 kHz	6.1
Power handling (LoZ)	
*1 Average	20 W
Programme	40 W
Peak	80 W
Recommended amplifier power	40 W @ 8 Ω
Nominal Impedance (Switch to LoZ)	8 Ω
Rated maximum SPL (1 m, Switch to LoZ)	101 dB
Average	98 dB
Peak SPL	104 dB
Transformer taps	
70 V	15 W/ 7.5 W/ 3.8 W/ 1.9 W
100 V	15 W/ 7.5 W/ 3.8 W
Transducers	
Low frequency	76 mm (3") PP cone

Physical

Enclosure	Blind mount (BM)
Back can	Anodized steel
Baffle	Reflex loaded UL 94V-0 rated ABS
Grille	Aluminum, powder coated
Safety Features	Rear enclosure safety ring for load-bearing bond
Clamping Design	Security toggle clamp
Connectors	Euroblock-style connector with screw terminals (with input cover and cable gland supplied)

Dimensions

Bezel diameter (grille max diameter)	200 mm (8")
Rear face of baffle to rear of back can	130 mm (5.12")
Rear face of baffle to top of safety loop	143 mm (5.63")
Rear face of baffle to rear of flex conduit	155 mm (6.10")
Hole cutout diameter	φ172 mm (6.77")
Net weight	2.41 kg (5.30 lbs) ±10%
Included accessories	Metal grille, cable gland, flex conduit, C-ring, tile-bridge kit, paint mask, cutout template
Optional accessories	Mud ring 48" Tile rail
Packed quantity	1 pair

Notes

*1 Average power rating is under IEC-shaped pink noise with a 6dB crest factor for 100 hours continuously.

CVS 301

3" In-Ceiling Loudspeaker for Installation Applications

Architecture & Engineering Specifications

The Ceiling Speaker System shall consist of a 76 mm (3.00") mineral loaded polypropylene full range driver mounted in a vented, injection moulded, paintable front baffle in UL94V-0 ABS material.

The backcan shall be constructed of zinc plated steel. A termination box shall be integrated with the backcan, a removable locking connector with screw terminals for secure wire termination with "loop through" facility shall be provided. Strain relief will be provided by a clamping mechanism for use with plenum rated cable or conduit. A safety ring is located on the rear of the backcan for a load bearing safety bond.

Performance of the ceiling speaker shall meet or exceed the following criteria: The system shall have a conical coverage pattern of 130 degrees. Frequency response measured on axis shall be 68 Hz -20 kHz (-10 dB from rated sensitivity, measured in an IEC baffle in an anechoic chamber) with no equalization. Sensitivity shall be 85 dB (1 W @ 1 m). Long term power handling capacity as defined in EIA-426B test shall be 20 W, recommended amplifier power 40 W. The nominal system impedance shall be 8 Ω (in low impedance setting).

The ceiling speaker system shall be equipped with a 15 W high performance line transformer for use in 70.7 or 100 Volt distributed audio systems with 15, 7.5, 3.8, 1.9* watt taps available. An easily accessible rotary switch located on the front baffle shall be available for selecting transformer and low impedance settings. A weather resistant perforated aluminium grille covers the transducer and switch.

Two support rails and one C-Ring shall be included with the ceiling speaker system. The front face diameter shall not exceed 200 mm (7.87"), overall depth from the front of the ceiling to the top of the cable clamp shall not exceed 155 mm (6.1"). The template cut out diameter shall be 172 mm (6.77").

The Ceiling Speaker System shall be the.....CVS301.

Install

CVS 301

3" In-Ceiling Loudspeaker for
Installation Applications



Install

CVS 301

3" In-Ceiling Loudspeaker for
Installation Applications



Install

CVS 301

3" In-Ceiling Loudspeaker for
Installation Applications

MUSIC Tribe Manufacturing PH Ltd.
17A Brunswick Street Hamilton HM 10 Bermuda

SUSPENDING THIS SYSTEM SHOULD ONLY BE DONE BY QUALIFIED PERSONS FOLLOWING SAFE INSTALLATION STANDARDS

DoP No. XXX-XXXXXXX-XX
EN54-24: 2008 TYPE A
CoC No. XXXX-XXX-XXXX

LOUDSPEAKER FOR VOICE ALARM SYSTEMS FOR FIRE DETECTION AND FIRE ALARM SYSTEMS FOR BUILDINGS ONLY APPLICABLE TO EN54

UL US Type:G 5ME2 LISTED

MADE IN CHINA

CE XX 1438

SPEAKER: CVS 301	
WIRING	PASSIVE
1+ / 2-	INPUT
3+ / 4-	LINK
INPUT	POWER
70 V LINE	1.9, 3.8, 7.5, 15 W
100 V LINE	3.8, 7.5, 15 W
8 Ω	20 W AVERAGE

REFER TO INSTALLATION WIRING DIAGRAM IN QUICK START GUIDE

TANNOY

DESIGNED AND ENGINEERED IN THE U.K.

DESIGNED AND ENGINEERED IN THE U.K.



For service, support or more information contact the Tannoy location nearest you:

Europe
Music Tribe Brands UK Ltd.
 Email: CARECrea@musictribe.com
 CAREEnte@musictribe.com
 CARELife@musictribe.com

USA/Canada
Music Tribe Commercial NV Inc.
 Email: CARECrea@musictribe.com
 CAREEnte@musictribe.com
 CARELife@musictribe.com

Japan
Music Tribe Services JP K.K.
 Email: CARECrea@musictribe.com
 CAREEnte@musictribe.com
 CARELife@musictribe.com

Music Tribe accepts no liability for any loss which may be suffered by any person who relies either wholly or in part upon any description, photograph, or statement contained herein. Technical specifications, appearances and other information are subject to change without notice. All trademarks are the property of their respective owners. Midas, Klark Teknik, Lab Gruppen, Lake, Tannoy, Turbosound, TC Electronic, TC Helicon, Behringer, Bugera, Auratone and Coolaudio are trademarks or registered trademarks of Music Tribe Global Brands Ltd. © Music Tribe Global Brands Ltd. 2019 All rights reserved.

